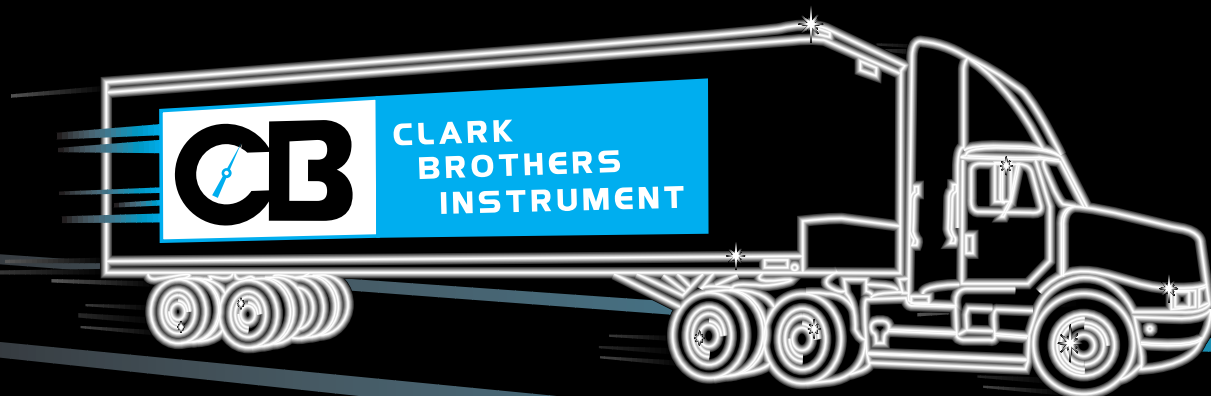




**CLARK  
BROTHERS  
INSTRUMENT**

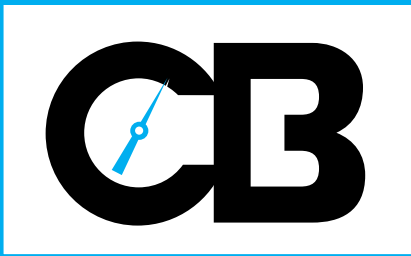
# CATALOG SUPPLEMENT

## ALL-MAKES & RIGHT ANGLE DRIVE ADAPTERS



**WHERE ACCURACY  
MEETS PERFORMANCE**

**\$5.00 U.S.**  
SC795



**CLARK  
BROTHERS  
INSTRUMENT**

Your local sales representative is: \_\_\_\_\_

Telephone: (\_\_\_\_\_) \_\_\_\_\_ Fax: (\_\_\_\_\_) \_\_\_\_\_

Your factory representative is: \_\_\_\_\_ Extension: \_\_\_\_\_

## General Information

Address: Clark Brothers Instrument Co.  
56680 Mound Rd.  
Shelby Township, MI 48316 USA

Phone Number: (810) 781-7000

Fax Number: (810) 781-7005

Listing of phone extensions by department:

<i>Customer Service</i>		220
		224
		210
<i>Sales</i>		
	National Sales Manager	214
	Eastern Regional Sales Manager	215
<i>Engineering</i>		225
<i>Quality Control</i>		229

## All -Makes Ratio Adapters

All-Makes Ratio Adapters Introduction .....	2
New Product: All-Makes Ratio Adapters.....	3
All-Makes Ratio Adapters: Ratio Chart .....	4
All-Makes Heavy Truck Ratio Adapter Application .....	5

## Right Angle Drive Adapters

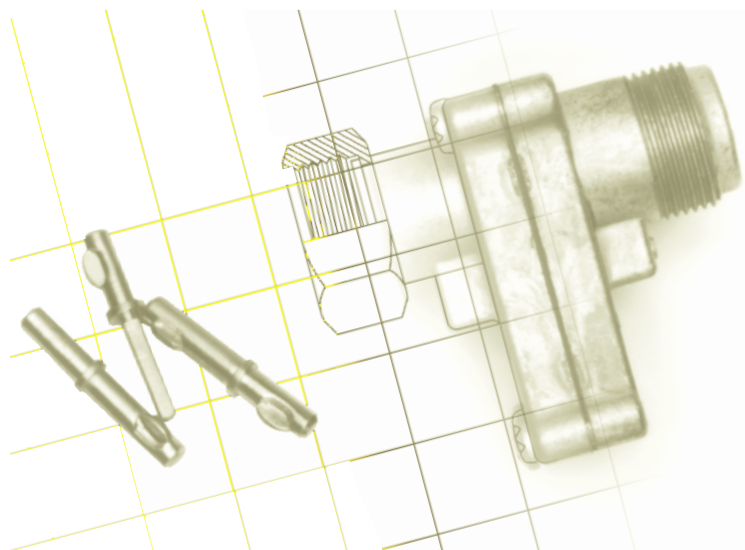
Right Angle Drive Adapter Introduction.....	8
New Product: Right Angle Drive Adapters .....	9
How to Order Factory-Built Adapters .....	9
Input Chart .....	10
Output Chart.....	10
Gear Chart.....	11
Assembly Illustrations .....	12
Single Right Angle Drive Adapter Kits.....	13
Component Parts Kit .....	14
Right Angle Gear Kit .....	15
Right Angle Drive Adapter Components .....	16
Bulkhead Connectors .....	19

## Interchanges

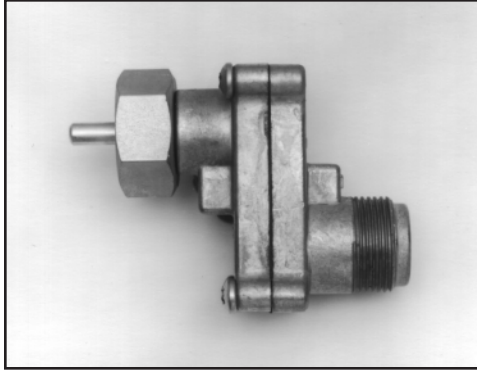
All-Makes and Right Angle Interchange .....	20
---	----

## Additional Products

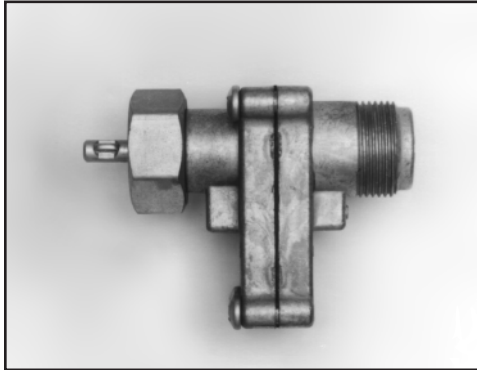
Additional Products Manufactured by Clark Brothers.....	31
---	----



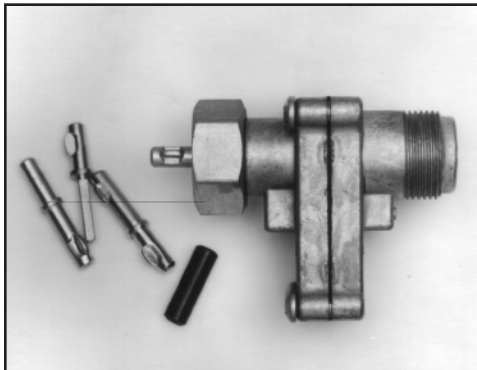
ALL-MAKES  
RATIO ADAPTERS



8860 ADAPTER



8870 ADAPTER



ALL-MAKES ADAPTER KIT

Clark Brothers Instrument Company stands alone as the largest single supplier of gear ratio adapters to Original Equipment Manufacturers in the United States. All of our ratio adapters meet or exceed the strict quality requirements demanded by such companies as: Navistar, General Motors, Ford, Mack, and Western Star. Better quality does not mean that our products are more expensive: all of our customers, both large and small, benefit from the low prices made possible by high volume.

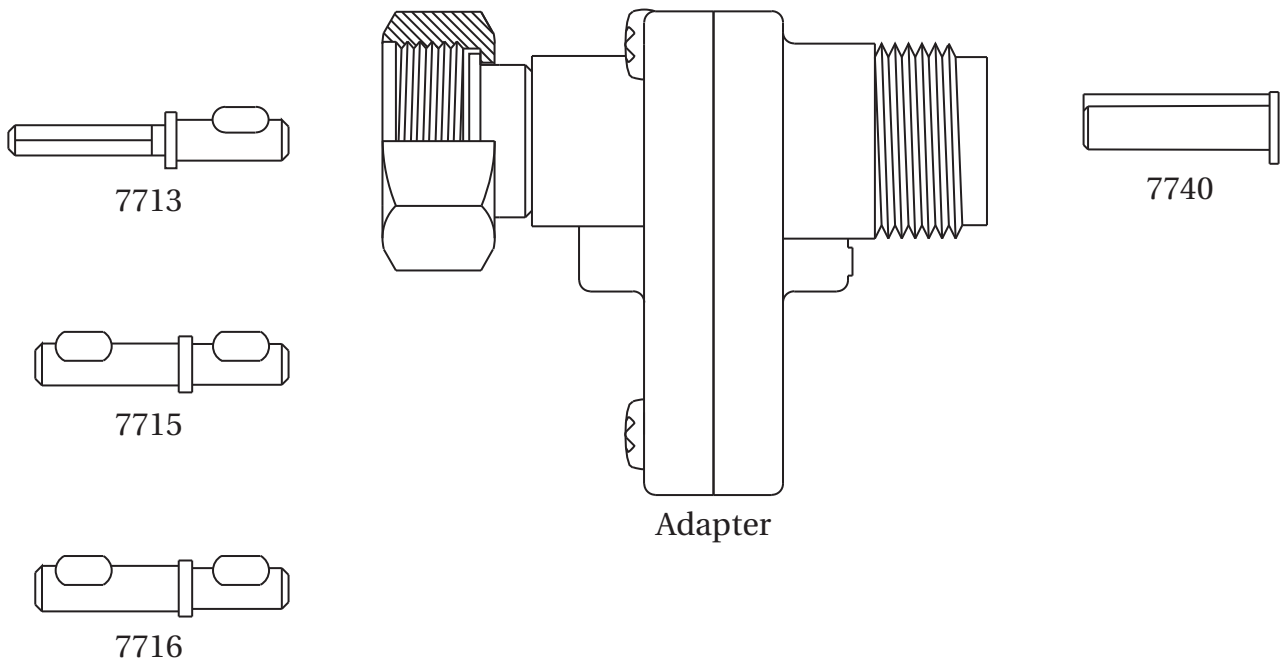
Our All-Makes Ratio Adapter program, which is introduced on the following pages, provides a time-saving and trouble-free alternative to assembling adapters from individual components. Built using the same materials and processes that meet or exceed OEM specifications, these ratio adapters offer the broadest coverage possible with a minimum of inventory. Every part in our All-Makes Adapter is proudly **Made in the U.S.A.** Like all Clark Brothers' products, every adapter assembly and component carries a **24 month unlimited mileage warranty.**

# NEW PRODUCT! ALL-MAKES RATIO ADAPTERS



Drawing on years of experience in supplying ratio adapters to automotive, heavy truck, and off-road equipment manufacturers, Clark Brothers is pleased to announce the most comprehensive line of ready-made adapters available in the aftermarket. **A total of 130 part numbers cover nearly 700 OEM applications — just 23 of these provide between 80% and 90% coverage!** Included are Chrysler, Ford, Freightliner, GM, Mack, Navistar, PACCAR, Volvo-GM and Western Star.

All-Makes Ratio Adapters are built to the same standards as those supplied by Clark Brothers to OEM manufacturers using all metal zinc diecast construction, case hardened zinc plated bushings, and zinc plated tips and shafts. Included with each adapter are the three most popular drive tips: 7713, 7715, and 7716. (Other tips are also available: see page 58 of Master Catalog MC794.)



Each adapter is factory lubricated and assembled in the more popular "straight-thru" style. Our reversible case permits easy reassembly into the "off-set" style, if required. Also included is our unique 7740 sleeve which can be used to convert the .213" slotted output to .105" internal square. **Twelve different configurations are possible with one All-Makes Adapter!**

# ALL-MAKES RATIO ADAPTERS

PART NO.	RATIO	PART NO.	RATIO	PART NO.	RATIO	PART NO.	RATIO
AA04186	0.4186	AA07466	0.7466	AA09743	0.9743	AA12896	1.2896
AA04313	0.4313	AA07511	0.7511	AA10000	1.0000	AA13000	1.3000
AA04427	0.4427	AA07555	0.7555	AA10181	1.0181	AA13077	1.3077
AA04561	0.4561	AA07647	0.7647	AA10263	1.0263	AA13235	1.3235
AA04621	0.4621	AA07692	0.7692	AA10303	1.0303	AA13314	1.3314
AA04681	0.4681	AA07754	0.7754	AA10370	1.0370	AA13394	1.3394
AA05000	0.5000	AA07785	0.7785	AA10400	1.0400	AA13600	1.3600
AA05185	0.5185	AA07894	0.7894	AA10439	1.0439	AA13636	1.3636
AA05321	0.5321	AA08000	0.8000	AA10500	1.0500	AA13846	1.3846
AA05392	0.5392	AA08095	0.8095	AA10574	1.0574	AA14400	1.4400
AA05555	0.5555	AA08210	0.8210	AA10588	1.0588	AA14571	1.4571
AA05625	0.5625	AA08241	0.8241	AA10714	1.0714	AA14835	1.4835
AA05701	0.5701	AA08319	0.8319	AA10888	1.0888	AA15000	1.5000
AA05709	0.5709	AA08500	0.8500	AA10961	1.0961	AA15385	1.5385
AA05777	0.5777	AA08571	0.8571	AA11038	1.1038	AA15429	1.5429
AA05882	0.5882	AA08626	0.8626	AA11111	1.1111	AA15455	1.5455
AA05929	0.5929	AA08653	0.8653	AA11143	1.1143	AA15866	1.5866
AA05952	0.5952	AA08797	0.8797	AA11250	1.1250	AA16000	1.6000
AA06049	0.6049	AA08814	0.8814	AA11344	1.1344	AA16154	1.6154
AA06190	0.6190	AA08888	0.8888	AA11368	1.1368	AA16564	1.6564
AA06250	0.6250	AA08974	0.8974	AA11538	1.1538	AA16800	1.6800
AA06302	0.6302	AA09000	0.9000	AA11555	1.1555	AA17000	1.7000
AA06481	0.6481	AA09058	0.9058	AA11590	1.1590	AA17307	1.7307
AA06500	0.6500	AA09122	0.9122	AA11667	1.1667	AA17515	1.7515
AA06617	0.6617	AA09183	0.9183	AA11765	1.1765	AA17778	1.7778
AA06666	0.6666	AA09333	0.9333	AA12000	1.2000	AA18000	1.8000
AA06740	0.6740	AA09444	0.9444	AA12020	1.2020	AA18545	1.8545
AA06862	0.6862	AA09457	0.9457	AA12133	1.2133	AA18790	1.8790
AA06944	0.6944	AA09523	0.9523	AA12179	1.2179	AA19286	1.9286
AA07143	0.7143	AA09578	0.9578	AA12353	1.2353	AA19487	1.9487
AA07222	0.7222	AA09615	0.9615	AA12500	1.2500	AA20000	2.0000
AA07333	0.7333	AA09642	0.9642	AA12666	1.2666		
AA07352	0.7352	AA09705	0.9705	AA12844	1.2844		

Note: All-Makes Adapters may be ordered in any ratio, even if not listed above, by simply adding "AA" in front of the ratio desired. (Also see pages 66 & 67 in Master Catalog MC794 for ordering information on other factory built adapters.)

ALL-MAKES RATIO ADAPTER APPLICATION GUIDE

CLARK P/N	CHRYSLER P/N	FORD P/N	FREIGHTLINER P/N	GM P/N	MACK P/N	NAVISTAR P/N	PACCAR P/N	VOLVO GM P/N	WESTERN STAR P/N	RATIO
AA04186			A22-17077-001		119AX-5256					0.4186
AA04186					119AX-2426					
AA04313			A22-17077-002		119AX-52110			57801-0001		0.4313
AA04313					119AX-2423			57801-0050		
AA04427			A22-17077-003		119AX-52109	492724-C91		57801-0002		0.4427
AA04561			A22-17077-005		119AX-5217			57801-0003		0.4561
AA04621					119AX-2428					0.4621
AA04681			A22-17077-007		119AX-5291					0.4681
AA05000		EOHZ-17294-CM	A22-17077-011		119AX-5218	492726-C91	4EZ55-0.5000	57801-0006		0.5000
AA05185			A22-17077-015		119AX-5221	492727-C91	4EZ55-0.5185			0.5185
AA05321			A22-17077-016		119AX-5222	577354-C1		57801-0008		0.5321
AA05321					119AX-2431					
AA05392			A22-17077-018		119AX-5294	492728-C91	TA2525-0.5392			0.5392
AA05392					119AX-0111		4EZ55-0.5392			
AA05555			A22-17077-019		119AX-5257	492729-C91	4EZ55-0.5555	57801-0009		0.5555
AA05555					119AX-2432					
AA05625			A22-17077-021		119AX-5224					0.5625
AA05701			A22-17077-022		119AX-5295	492730-C91				0.5701
AA05709			A22-17077-023		119AX-5225					0.5709
AA05777			A22-17077-024		119AX-5226			57801-0010		0.5777
AA05777					119AX-2407					
AA05882			A22-17077-026		119AX-5227		4EZ55-0.5883			0.5882
AA05929			A22-17077-027		119AX-5228	492731-C91				0.5929
AA05952	2553872		A22-17077-028							0.5952
AA06049			A22-17077-030		119AX-5229	492732-C91	4EZ55-0.6050	57801-0011		0.6049
AA06049					119AX-2417					
AA06190			A22-17077-031		119AX-5230		4EZ55-0.6191		S324X6190	0.6190
AA06250			A22-17077-032			492733-C91	4EZ55-0.6250			0.6250
AA06302			A22-17077-033		119AX-5201		4EZ55-0.6303	57801-0012	S324X6302	0.6302
AA06302					119AX-2433					
AA06481			A22-17077-034			492734-C91	4EZ55-0.6482	S324X6481	S324X6481	0.6481
AA06500			A22-17077-035		119AX-5297		4EZ55-0.6500	57801-0013	57801-0013	0.6500
AA06500					119AX-2408					
AA06617		EOHZ-17294-AC	A22-17077-036		119AX-5231		4EZ55-0.6617			0.6617
AA06617					119AX-2418		4EZ55-0.6618			
AA06666		EOHZ-17294-CR	A22-17077-158		119AX-5200		4EZ15-0.6667			0.6666
AA06666					119AX-5900		4EZ55-0.6667			
AA06740		EOHZ-17294-AA	A22-17077-037		119AX-5232	571280-C91	4EZ55-0.6741	57801-0014	57801-0014	0.6740
AA06740					119AX-2434					
AA06862			A22-17077-038	15635475	119AX-5202		4EZ55-0.6863			0.6862
AA06944	2235626		A22-17077-039		119AX-5233	492735-C91	4EZ55-0.6944	57801-0015	57801-0015	0.6944
AA06944	2235626				119AX-2435					
AA07143					119AX-5278					0.7143
AA07222		EOHZ-17294-AB	A22-17077-040		119AX-5206	492736-C91	4EZ55-0.7222	57801-0016	57801-0016	0.7222
AA07222					119AX-2436					
AA07333		EOHZ-17294-CG	A22-17077-041	15618394	119AX-5234					0.7333
AA07352	1501542		A22-17077-042				4EZ55-0.7352		S324X7352	0.7352
AA07352							4EZ55-0.7353			
AA07466		E1HZ-17294-D	A22-17077-043		119AX-2410	492737-C91				0.7466
AA07511			A22-17077-044		119AX-5235		4EZ55-0.7511			0.7511
AA07511					119AX-2411					
AA07555			A22-17077-045		119AX-5236			57801-0017	57801-0017	0.7555
AA07555								57801-0066		
AA07647		EOHZ-17294-Z	A22-17077-046				4EZ55-0.7647		S324X7647	0.7647
AA07692			A22-17077-047			492738-C91	4EZ55-0.7693	S324X7692		0.7692
AA07754			A22-17077-048		119AX-5212		4EZ55-0.7754			0.7754
AA07785			A22-17077-050		119AX-52100		4EZ55-0.7785			0.7785
AA07785					119AX-2437		4EZ55-0.7786			
AA07894			A22-17077-051		119AX-5280	492739-C91	4EZ55-0.7894	57801-0067		0.7894
AA07894							4EZ55-0.7895	57801-0018		
AA08000	2239441	EOHZ-17294-U	A22-17077-052	15618393	119AX-5237		4EZ55-0.8000		S324X8000	0.8000
AA08095		E3HZ-17294-B	A22-17077-053		119AX-2412		4EZ55-0.8095		1736124	0.8095
AA08210			A22-17077-054		119AX-5281		4EZ55-0.8210			0.8210
AA08241		EOHZ-17294-V	A22-17077-055	15635472	119AX-5238	492740-C91	4EZ55-0.8241	57801-0019	57801-0019	0.8241
AA08241				15618395	119AX-2438		4EZ55-0.8242			
AA08319		EOHZ-17294-CJ	A22-17077-056		119AX-2439	973736-R91	4EZ55-0.8319			0.8319
AA08500			A22-17077-057		119AX-5203		4EZ55-0.8500		S324X8500	0.8500
AA08500					119AX-2440					
AA08571			A22-17077-058				4EZ55-0.8571			0.8571
AA08626			A22-17077-059		119AX-5239		4EZ55-0.8626	57801-0020		0.8626
AA08626							4EZ55-0.8628			

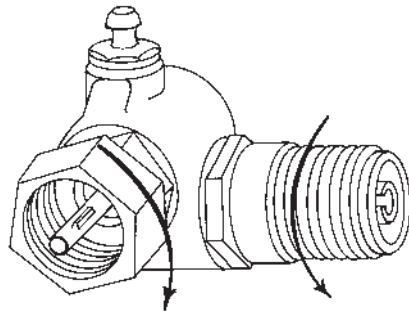
ALL-MAKES RATIO ADAPTER APPLICATION GUIDE

CLARK P/N	CHRYSLER P/N	FORD P/N	FREIGHTLINER P/N	GM P/N	MACK P/N	NAVISTAR P/N	PACCAR P/N	VOLVO GM P/N	WESTERN STAR P/N	RATIO
AA08653		EOHZ-17294-K	A22-17077-060		119AX-5240	492741-C91	4EZ55-0.8654		777-B-.8653	0.8653
AA08653					119AX-2441					
AA08797	1333049	EOHZ-17294-L	A22-17077-061		119AX-2405		4EZ55-0.8797			0.8797
AA08797	2239272									
AA08814			A22-17077-062		119AX-52102		4EZ55-0.8814			0.8814
AA08814							4EZ55-0.8815			
AA08888		EOHZ-17294-R	A22-17077-063		119AX-5241		4EZ55-0.8888		S324X8888	0.8888
AA08888					119AX-2442		4EZ55-0.8889			
AA08974			A22-17077-064	15636218	119AX-5242	492742-C91			S324X8974	0.8974
AA09000		EOHZ-17294-Y	TB1818 9000		119AX-2424		4EZ55-0.9000	57801-0021	57801-0021	0.9000
AA09000			A22-17077-065							
AA09058			A22-17077-066		119AX-52103		4EZ55-0.9058		S324X9058	0.9058
AA09058							4EZ55-0.9059			
AA09122	2239271	EOHZ-17294-H	A22-17077-067		119AX-5208		4EZ55-0.9123	S324X9122	S324X9122	0.9122
AA09183		EOHZ-17294-J	A22-17077-068		119AX-5243		4EZ55-0.9183			0.9183
AA09183							4EZ55-0.9184			
AA09333			TB1818 9333		119AX-5244	492743-C91	4EZ55-0.9333	57801-0071	57801-0022	0.9333
AA09333			A22-17077-069		119AX-2404		4EZ55-0.9334	57801-0022		
AA09444	1797169		A22-17077-070	15635468			4EZ55-0.9444			0.9444
AA09444				15618496						
AA09457			A22-17077-071		119AX-5245					0.9457
AA09523			A22-17077-072		119AX-5207		4EZ55-0.9523		S324X9523	0.9523
AA09578			A22-17077-073						S324X9577	0.9578
AA09615			A22-17077-074		119AX-52104	492744-C91	4EZ55-0.9615	S324X9615		0.9615
AA09615					119AX-2443					
AA09642	1270600		A22-17077-075		119AX-5246		4EZ55-0.9642			0.9642
AA09642	4167563									
AA09705			A22-17077-076		119AX-52105		4EZ55-0.9706			0.9705
AA09705					119AX-2444					
AA09743		EOHZ-17294-CK	A22-17077-077	15636177			4EZ55-0.9743	57801-0072	57801-0023	0.9743
AA09743				15618396				57801-0023		
AA10000			A22-17077-079	15636220	119AX-5247	492745-C91	4EZ55-1.0000		S324X10000	1.0000
AA10000					119AX-2410					
AA10181		EOHZ-17294-AH	TB1818 10181	15635477	119AX-52106	492746-C91	4EZ55-1.0181	57801-0073	57801-0024	1.0181
AA10181		EOHZ-17294-M	A22-17077-080	15618400	119AX-2409	449519-R91		57801-0024		
AA10263	4167564	EOHZ-17294-CL	TB1818 10263		119AX-5248		4EZ55-1.0263		S324X10263	1.0263
AA10263			A22-17077-081							
AA10303			A22-17077-082				4EZ55-1.0303			1.0303
AA10370		EOHZ-17294-D	A22-17077-083				4EZ55-1.0370			1.0370
AA10400	1797170		A22-17077-084		119AX-5285	492747-C91	4EZ55-1.0400	S324X10400	S324X10400	1.0400
AA10400					119AX-2402					
AA10439			A22-17077-085		119AX-5249		4EZ55-1.0439			1.0439
AA10500	4167565	EOHZ-17294-AG	TB1818 10500	15617662	119AX-5204		4EZ55-1.0500		S324X10500	1.0500
AA10500			A22-17077-086		119AX-2445					
AA10574			TB1818 10574			492748-C91	4EZ55-1.0574	57801-0025	57801-0025	1.0574
AA10574			A22-17077-087						S324X10574	
AA10588			A22-17077-088		119AX-5258		4EZ55-1.0588		S324X10588	1.0588
AA10714			TB1818 10714		119AX-1732	492749-C91	4EZ55-1.0714	S324X10714	S324X10714	1.0714
AA10714			A22-17077-089		119AX-4603					
AA10714					119AX-2446					
AA10888	3822561	EOHZ-17294-AN	TB1818 10888		119AX-5259		4EZ55-1.0888	S324X10888	S324X10888	1.0888
AA10888			A22-17077-090		119AX-2447					
AA10961		EOHZ-17294-E	TB1818 10961			973752-R91	4EZ55-1.0961			1.0961
AA10961			A22-17077-091							
AA11038			TB1818 11038		119AX-5287		4EZ55-1.1038	57801-0075	S324X11038	1.1038
AA11038			A22-17077-092					57801-0026		
AA11111	2832805	EOHZ-17294-CC	TB1818 11111	15635469	119AX-5214		4EZ55-1.1110			1.1111
AA11111			A22-17077-093				4EZ55-1.1111			
AA11143			TB1818 11143		119AX-5260	492750-C91	4EZ55-1.1143		S324X11143	1.1143
AA11143			A22-17077-094							
AA11250			TB1818 11250		119AX-2401		4EZ55-1.1250		S324X11250	1.1250
AA11250			A22-17077-095							
AA11344			TB1818 11344		119AX-2448		4EZ55-1.1333			1.1344
AA11344			A22-17077-096				4EZ55-1.1344			
AA11368			TB1818 11367		119AX-5250	973756-R91	4EZ55-1.1367		S324X11367	1.1368
AA11368			A22-17077-097							
AA11538					119AX-52107		4EZ55-1.1538			1.1538
AA11555		EOHZ-17294-AS	TB1818 11555		119AX-2449	492751-C91	4EZ55-1.1555	57801-0027	57801-0027	1.1555
AA11555			A22-17077-098					57801-0076		
AA11590	4348801		TB1818 11590				4EZ55-1.1590			1.1590
AA11590			A22-17077-099							

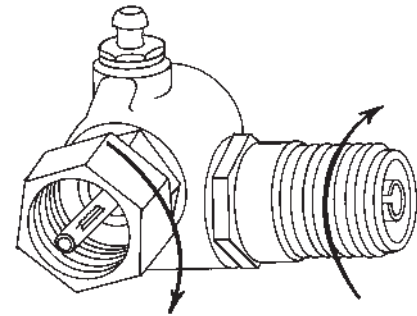


ALL-MAKES RATIO ADAPTER APPLICATION GUIDE

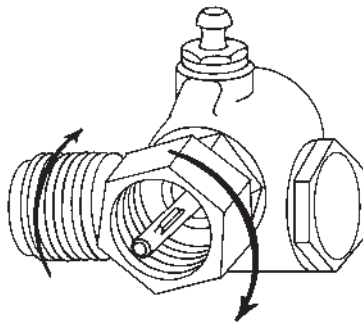
CLARK P/N	CHRYSLER P/N	FORD P/N	FREIGHTLINER P/N	GM P/N	MACK P/N	NAVISTAR P/N	PACCAR P/N	VOLVO GM P/N	WESTERN STAR P/N	RATIO
AA11667			TB1818 11666		119AX-5211		4EZ55-1.1666		S324X11666	1.1667
AA11667			A22-17077-100							
AA11765		EOHZ-17294-F	TB1818 11763		119AX-52108		4EZ55-1.1763	S324X11763	S324X11763	1.1765
AA11765			A22-17077-101		119AX-2450					
AA12000		EOHZ-17294-BG			119AX-5289					1.2000
AA12000		EOHZ-17294-G								
AA12020	1790831	EOHZ-17294-AF	TB1818 12020	15635470	119AX-5251	973759-R91	4EZ55-1.2020	57801-0077	57801-0028	1.2020
AA12020	2239274		A22-17077-102	15618397	119AX-2400			57801-0028		
AA12133		EOHZ-17294-C	TB1818 12133		119AX-5205	492752-C91	4EZ55-1.2133			1.2133
AA12133			A22-17077-103							
AA12179			TB1818 12179		119AX-2451		4EZ55-1.2179	V1119129		1.2179
AA12179			A22-17077-104				4EZ55-1.2180			
AA12353			TB1818 12352		119AX-5252		4EZ55-1.2352	S324X12352	S324X12352	1.2353
AA12353			A22-17077-105							
AA12500		EOHZ-17294-AR	TB1818 12500	15636219	119AX-5261		4EZ55-1.2500	57801-0029	57801-0029	1.2500
AA12500								57801-0078		
AA12500			A22-17077-106		119AX-2452			57801-0100		
AA12666			TB1818 12666		119AX-5253	492753-C91	4EZ55-1.2666	S324X12666	S324X12666	1.2666
AA12666			A22-17077-107		119AX-2453					
AA12844	3828424		TB1818 12844		119AX-5210		4EZ55-1.2844			1.2844
AA12844			A22-17077-108		119AX-2420					
AA12896			A22-17077-110		119AX-5262		4EZ55-1.2895			1.2896
AA13000		EOHZ-17294-CD	TB1818 13000	15635471		492754-C91	4EZ55-1.3000	57801-0030	57801-0030	1.3000
AA13000			A22-17077-111	15618398						
AA13077		EOHZ-17294-AE	TB1818 13077		119AX-5254		4EZ55-1.3077			1.3077
AA13077			A22-17077-112							
AA13235	2832806	EOHZ-17294-AM	TB1818 13235		119AX-5215	973764-R91	4EZ55-1.3235			1.3235
AA13235			A22-17077-113		119AX-2421					
AA13314		EOHZ-17294-AL	TB1818 13313	15618497			4EZ55-1.3313			1.3314
AA13314			A22-17077-114							
AA13394		EOHZ-17294-B	TB1818 13393			492755-C91	4EZ55-1.3393	57801-0080	57801-0031	1.3394
AA13394			A22-17077-115					57801-0031		
AA13600			A22-17077-116	15635476	119AX-5263	973765-R91	4EZ55-1.3600			1.3600
AA13600				15618399						
AA13636		EOHZ-17294-AK	TB1818 13636		119AX-2416		4EZ55-1.3636			1.3636
AA13636			A22-17077-117							
AA13846			A22-17077-118		119AX-5264	492756-C91	4EZ55-1.3845	57801-0032	S324X13846	1.3846
AA13846							4EZ55-1.3846			
AA14400		EOHZ-17294-AJ	TB1818 14400		119AX-5213	492757-C91	4EZ55-1.4400	57801-0033	57801-0033	1.4400
AA14400			A22-17077-119		119AX-2454					
AA14571					119AX-5255		4EZ55-1.4571	S64X14571		1.4571
AA14835		E4HZ-17294-A	A22-17077-121			492758-C91	4EZ55-1.4835	57801-0034	S324X14835	1.4835
AA15000		EOHZ-17294-CE	A22-17077-159		119AX-5209		4EZ55-1.5000			1.5000
AA15000					119AX-2460					
AA15385			A22-17077-123		119AX-5265		4EZ55-1.5384	57801-0084	57801-0035	1.5385
AA15385								57801-0035		
AA15429			A22-17077-124		119AX-2414	492759-C91	4EZ55-1.5428			1.5429
AA15455		E4HZ-17294-B					4EZ55-1.5454			1.5455
AA15866			A22-17077-125		119AX-5216		4EZ55-1.5866	57801-0036	S324X15866	1.5866
AA15866							4EZ55-1.5867			
AA16000			A22-17077-126		119AX-2425	492760-C91	4EZ55-1.6000			1.6000
AA16154		EOHZ-17294-CN	A22-17077-127				4EZ55-1.6152	S324X16152		1.6154
AA16564			A22-17077-129			492761-C91	4EZ55-1.6564	57801-0037	S324X16564	1.6564
AA16800			A22-17077-130							1.6800
AA16862		E4HZ-17294-C	TB1818 16863				4EZ55-1.6863			1.6862
AA16862			A22-17077-131							
AA17000			A22-17077-132		119AX-2415		4EZ55-1.7000	57801-0038		1.7000
AA17307		E4HZ-17294-D	A22-17077-134		119AX-5267	492762-C91	4EZ55-1.7307			1.7307
AA17515		E3HZ-17294-A	A22-17077-135					57801-0039	777-B-1.7515	1.7515
AA17778			A22-17077-137		119AX-5268		4EZ55-1.7777			1.7778
AA18000		E3HZ-17294-D	A22-17077-139		119AX-5269		4EZ55-1.8000	57801-0040		1.8000
AA18000					119AX-2456					
AA18545			A22-17077-140		119AX-5270		4EZ55-1.8545		S324X18545	1.8545
AA18790			A22-17077-142			492763-C91	4EZ55-1.8792	57801-0090		1.8790
AA18790								57801-0041		
AA19286		E6HZ-17294-G	A22-17077-143		119AX-5271		4EZ55-1.9285			1.9286
AA19286					119AX-2457					
AA19487			TB1818 19487				4EZ55-1.9487	57801-0042		1.9487
AA19487			A22-17077-144							
AA20000		E6HZ-17294-H	A22-17077-147		119AX-2455			57801-0043		2.0000



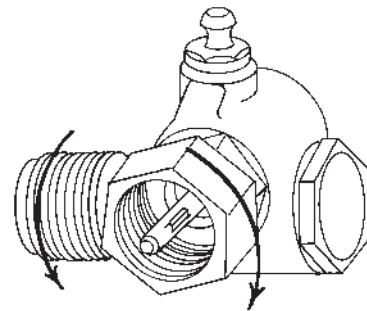
**40 SERIES**  
"DIRECT" OR "CONTINUOUS"  
ROTATION



**41 SERIES**  
"REVERSING" OR "OPPOSITE"  
ROTATION



**42 Series**  
"DIRECT" OR "CONTINUOUS"  
ROTATION



**43 SERIES**  
"REVERSING" OR "OPPOSITE"  
ROTATION

Clark Brothers' Right Angle Drive Adapters are designed for heavy duty service in highway or off-road applications. Built to provide long life and trouble-free operation under the most severe conditions, these adapters meet or exceed the strict quality requirements of such companies as General Motors, Mack, and Volvo. Every part in our Right Angle Drive Adapter is proudly **Made in the U.S.A.** Like all Clark Brothers' products, each adapter assembly and every component carries a **two year unlimited mileage warranty** and is backed by our commitment to prompt service and customer satisfaction.

# NEW PRODUCT! RIGHT ANGLE DRIVE ADAPTERS



## DESIGN FEATURES INCLUDE:

- Gears made of heat-treated alloy steel.
- Oil-impregnated sintered-bronze bearings.
- High grade lubricant for temperatures from -50 to +300 degrees Fahrenheit.
- Adapter cases of anodized aluminum.
- Shafts, fittings and tips are zinc-plated steel.

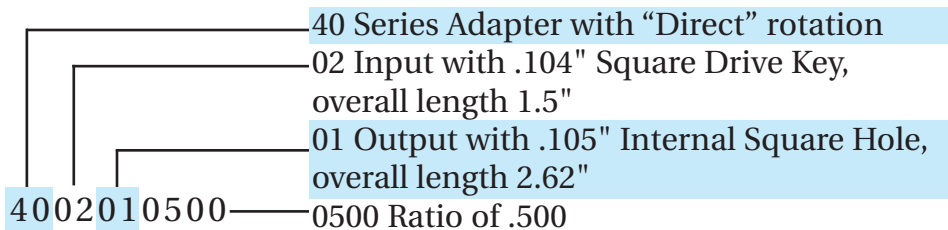
## HOW TO ORDER FACTORY-BUILT ADAPTERS:

If OEM part number is known, see interchange beginning on page 20.

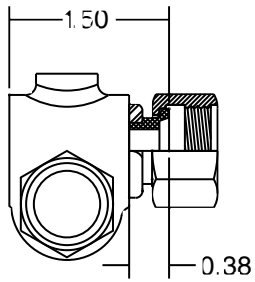
— OR —

1. Specify Series. Refer to drawings on previous page.  
(Note arrows showing relative rotation of input and output).
2. Specify Input by referring to Input Chart on the following page.
3. Specify Output by referring to Output Chart on the following page.
4. Specify Ratio in terms of output for each revolution of input (for example 1:2 = .500 ratio). Refer to Gear Chart on page 11 for availability.

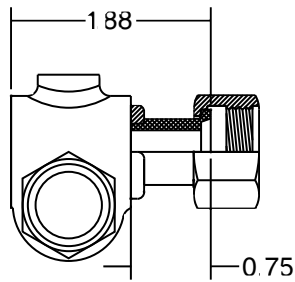
EXAMPLE: Part Number 4002010500 indicates the following:



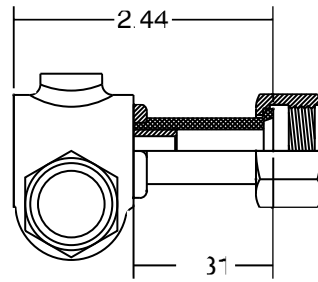
# INPUT CHART



3/8" Connector  
Fitting Nos. 01-05



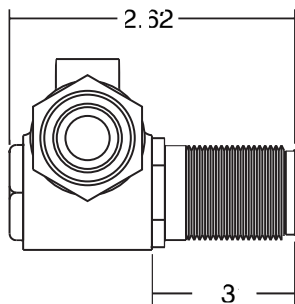
3/4" Connector  
Fitting Nos. 09-17



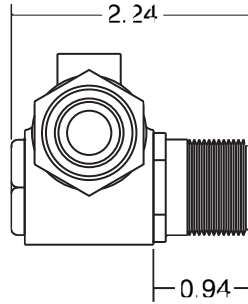
1 5/16" Connector  
Fitting Nos. 18-22

Fitting Number	Description	Input Connector	Input Shaft	Drive Key	Snap Ring
01	3/8" Conn. & .181" Saw Slot Shaft	4002	4005		2006
02	3/8" Conn. & .104" Sq. Drive Key	4002	4005	4008	2006
03	3/8" Conn. & .152" Tang Drive Key	4002	4005	4018	2006
04	3/8" Conn. & .187" Tang Drive Key	4002	4005	4028	2006
05	3/8" Conn. & .203" Tang Drive Key	4002	4005	4038	2006
09	3/4" Conn. & .191" Saw Slot Shaft	4012	4015		2006
10	3/4" Conn. & .104" Sq. Drive Key	4012	4015	4048	2006
11	3/4" Conn. & .152" Tang Drive Key	4012	4015	4058	2006
12	3/4" Conn. & .187" Tang Drive Key	4012	4015	4068	2006
13	3/4" Conn. & .203" Tang Drive Key	4012	4015	4078	2006
14	3/4" Conn. & .150" Sq. Drive Key	4012	4015	4088	2006
15	3/4" Conn. & .124" Sq. Drive Key	4012	4015	4098	2006
16	3/4" Conn. & .193" Sq. Drive Key	4012	4015	4108	2006
17	3/4" Conn. & .150" Int. Sq. Drive Shaft	4012	4025		
18	1 5/16" Conn. & .161" Saw Slot Shaft	4032	4035		
19	1 5/16" Conn. & .191" Saw Slot Shaft	4032	4055		2006
20	1 5/16" Conn. & .150" Int. Sq. Drive Shaft	4032	4065		
22	1 5/16" Conn. & .203" Tang Drive Key	4032	4055	4078	2006

# OUTPUT CHART



1 5/16" Connector  
Fitting Nos. 01-05



15/16" Connector  
Fitting No. 06

Fitting Number	Description	Output Connector	Output Shaft
01	1 5/16" Connector & .105" Int. Sq. Shaft	4003	4006
02	1 5/16" Connector & .150" Int. Sq. Shaft	4003	4016
03	1 5/16" Connector & .161" Saw Slot Shaft	4003	4026
04	1 5/16" Connector & .191" Saw Slot Shaft	4003	4036
05	1 5/16" Connector & .213" Saw Slot Shaft	4003	4046
06	15/16" Connector & .161" Saw Slot Shaft	4013	4056

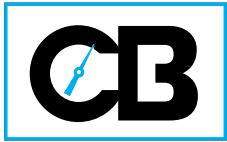
# GEAR CHART



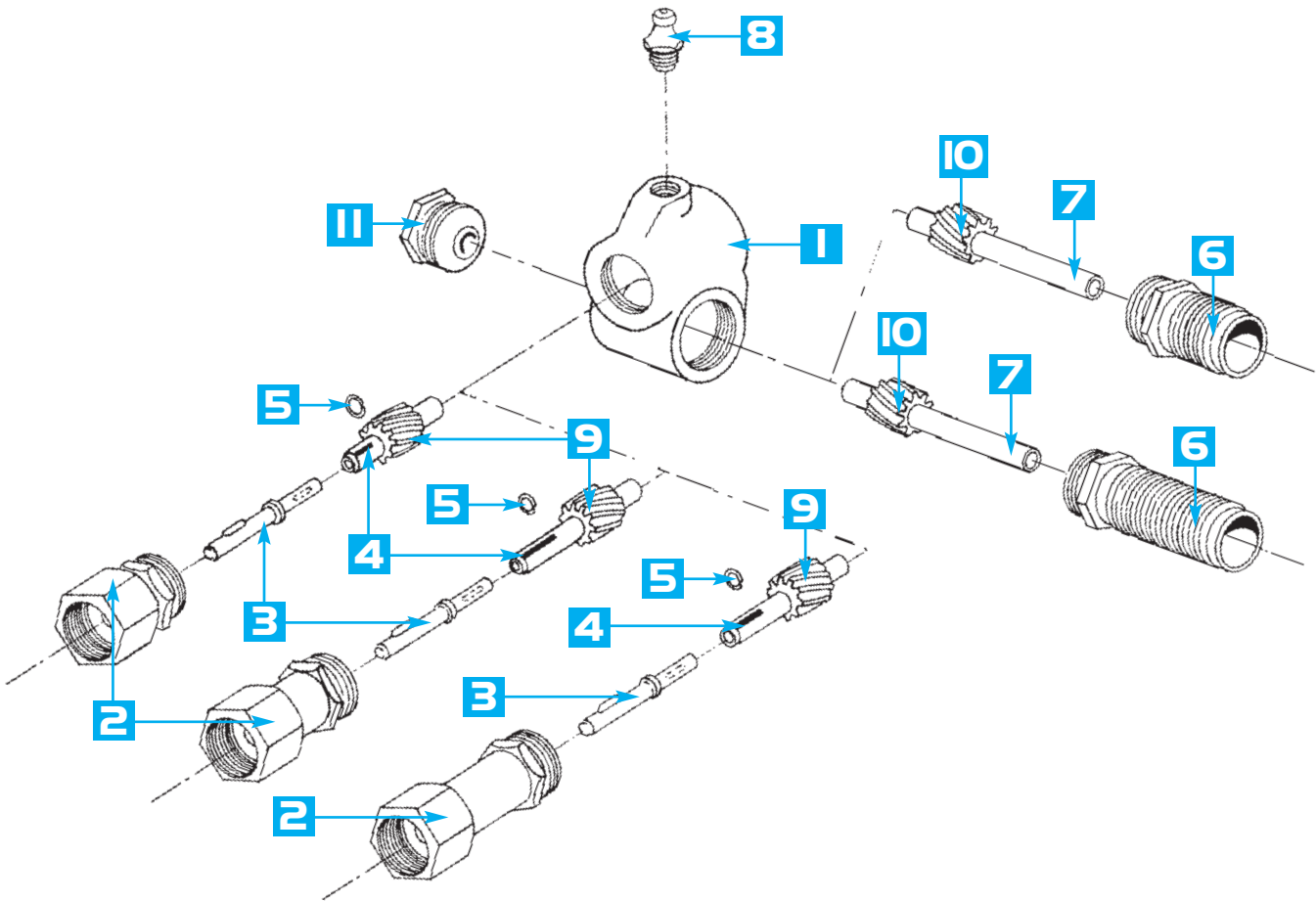
Ratio*	Drive Teeth	Driven Teeth	Right Hand Gears 40 & 43 Series		Left Hand Gears 41 & 42 Series	
			Drive Part No.	Driven Part No.	Drive Part No.	Driven Part No.
0.250	3	12	4002501	4002502	4102501	4102502
0.467	7	15			4104671	4104672
0.500	7	14	4005001	4005002	4105001	4105002
0.550	11	20	4005501	4005502		
0.562	9	16			4105621	4105622
0.571	8	14	4005711	4005712	4105711	4105712
0.588	10	17			4105881	4105882
0.611	11	18	4006111	4006112	4106111	4106112
0.625	10	16	4006251	4006252		
0.636	7	11			4106361	4106362
0.647	11	17	4006471	4006472	4106471	4106472
0.667	10	15			4106671	4106672
0.687	11	16	4006871	4006872	4106871	4106872
0.705	12	17			4107051	4107052
0.714	10	14			4107141	4107142
0.733	11	15	4007331	4007332	4107331	4107332
0.750	12	16	4007501	4007502	4107501	4107502
0.769	10	13	4007691	4007692		
0.786	11	14	4007861	4007862	4107861	4107862
0.800	8	10			4108001	4108002
0.818	9	11	4008181	4008182	4108181	4108182
0.833	10	12	4008331	4008332	4108331	4108332
0.857	12	14			4108571	4108572
0.866	13	15	4008661	4008662	4108661	4108662
0.882	15	17	4008821	4008822	4108821	4108822
0.909	10	11	4009091	4009092		
0.923	12	13	4009231	4009232	4109231	4109232
0.929	13	14	4009291	4009292	4109291	4109292
0.937	15	16			4109371	4109372
0.941	16	17	4009411	4009412		
0.950	19	20	4009501	4009502		
1.000	10	10	4010001	4010001	4110001	4110001
1.055	19	18	4010551	4010552		
1.062	17	16	4010621	4010622		
1.077	14	13	4010771	4010772	4110771	4110772
1.100	11	10	4011001	4011002	4111001	4111002
1.134	17	15	4011341	4011342	4111341	4111342
1.167	14	12	4011671	4011672	4111671	4111672
1.200	12	10	4012001	4012002	4112001	4112002
1.214	17	14	4012141	4012142		
1.250	10	8	4012501	4012502	4112501	4112502
1.272	14	11			4112721	4112722
1.300	13	10	4013001	4013002	4113001	4113002
1.333	16	12			4113331	4113332
1.363	15	11	4013631	4013632	4113631	4113632
1.400	14	10	4014001	4014002	4114001	4114002
1.461	19	13	4014611	4014612		
1.500	15	10	4015001	4015002	4115001	4115002
1.583	19	12	4015831	4015832		
1.667	15	9	4016671	4016672		
2.000	14	7	4020001	4020002	4120001	4120002

\*Note: Ratio equals number of Drive Teeth divided by number of Driven Teeth.





# 40, 41, 42, 43 ADAPTERS



## ILLUSTRATION KEY

Key	Part Number	Description
1	3001	Adapter Case
2	see Input Chart Page 10	Drive Connection -- Input
3	see Input Chart Page 10	Drive Key -- Input
4	see Input Chart Page 10	Drive Shaft -- Input
5	see Input Chart Page 10	Snap Ring
6	see Output Chart Page 10	Driven Connection -- Output
7	see Output Chart Page 10	Driven Shaft -- Output
8	8805 4004	Grease Fitting Grease Plug (not illustrated)
9	see Gear Chart Page 11	Drive Gear
10	see Gear Chart Page 11	Driven Gear
11	4007	Cap Assembly

# SINGLE RIGHT ANGLE DRIVE ADAPTER KITS



Simplify inventory and re-ordering. These kits contain all common parts necessary to build one right angle drive adapter.

Drive Keys and Output Shafts from 4000-PK, and Gears from 4000-GKT must also be used.

## 4000-KT

For Right Angle Drive  
Adapters with 3/8"  
Input Connector



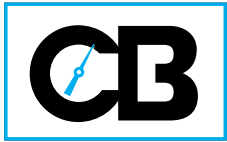
Part No.	Description	Quantity
2006	Snap Ring	1
3001	Case	1
4002	Input Connector	1
4003	Output Connector	1
4004	Grease Plug	1
4005	Input Shaft	1
4007	Cap	1

## 4001-KT

For Right Angle Drive  
Adapters with 3/4"  
Input Connector



Part No.	Description	Quantity
2006	Snap Ring	1
3001	Case	1
4003	Output Connector	1
4004	Grease Plug	1
4007	Cap	1
4012	Input Connector	1
4015	Input Shaft	1



# RIGHT ANGLE DRIVE ADAPTER PARTS KITS

Assortment of Drive Keys and Output Shafts for building and repairing Right Angle Drive Adapters. Use with Single Adapter Kits and 4000-GKT Gear Kit. Sturdy plastic carrying case latches securely. Includes part number identification chart and assembly instructions. Assembly tool not included (see page 19).

## 4000-PK

Drive Keys and Output Shafts for Right Angle Drive Adapters with both 3/8" and 3/4" Input connectors



Part No.	Description	Quantity
CB-3063	Carrying Case	1
CB-3071	Chart	1
4008	.104" Sq. Drive Key	5
4018	.152" Tang Drive Key	5
4028	.187" Tang Drive Key	5
4038	.203" Tang Drive Key	5
4048	.104" Sq. Drive Key	5
4058	.152" Tang Drive Key	5
4068	.187" Tang Drive Key	5
4078	.203" Tang Drive Key	5
4088	.150" Sq. Drive Key	2
4098	.124" Sq. Drive Key	2
4108	.193" Sq. Drive Key	2
4006	.105" Int. Sq. Output Shaft	5
4016	.150" Int. Sq. Output Shaft	2
4026	.161" Saw Slot Output Shaft	5
4036	.191" Saw Slot Output Shaft	5
4046	.213" Saw Slot Output Shaft	5



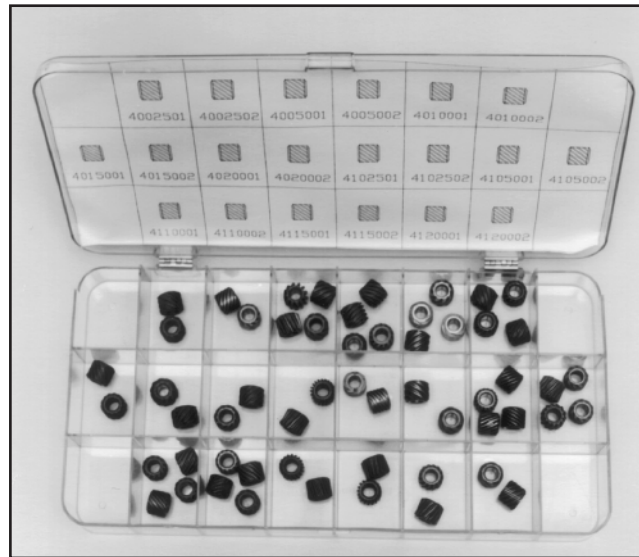
# RIGHT ANGLE GEAR KIT



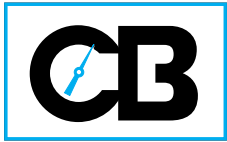
Contains both right and left hand gears for the most popular  
Right Angle Drive Adapter ratios: .250 .500 1.000 1.500 2.000

## 4000-GKT

Durable plastic box  
closes securely, permits  
easy viewing of  
contents. Includes  
gear chart for ease of  
identification.



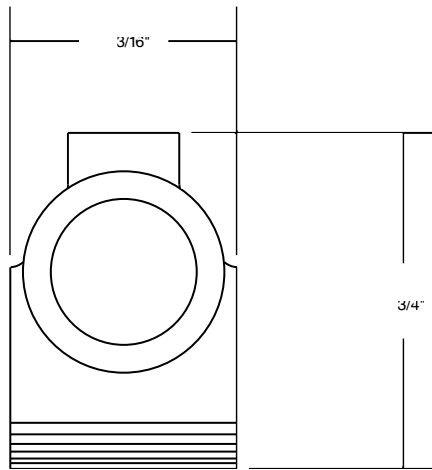
Part No.	Description	Quantity
CB-3066	Box	1
CB-3072	Chart	1
4002501	R.H. Gear 3 teeth	2
4002502	R.H. Gear 12 teeth	2
4005001	R.H. Gear 7 teeth	4
4005002	R.H. Gear 14 teeth	4
4010001	R.H. Gear 10 teeth	8
4015001	R.H. Gear 15 teeth	2
4015002	R.H. Gear 10 teeth	2
4020001	R.H. Gear 14 teeth	2
4020002	R.H. Gear 7 teeth	2
4102501	L.H. Gear 3 teeth	2
4102502	L.H. Gear 12 teeth	2
4105001	L.H. Gear 7 teeth	4
4105002	L.H. Gear 14 teeth	4
4110001	L.H. Gear 10 teeth	8
4115001	L.H. Gear 15 teeth	2
4115002	L.H. Gear 10 teeth	2
4120001	L.H. Gear 14 teeth	2
4120002	L.H. Gear 7 teeth	2



# DRIVE ADAPTER COMPONENTS

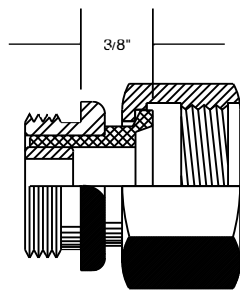
## CASES

3001 Case

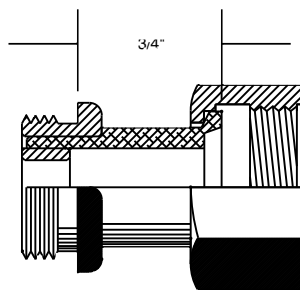


## INPUT CONNECTORS

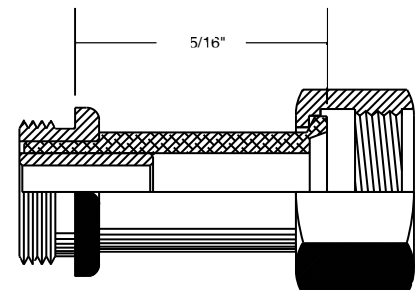
4002 Input Connector



4012 Input Connector

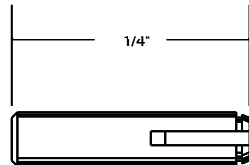


4032 Input Connector

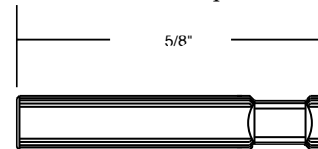


## INPUT SHAFTS

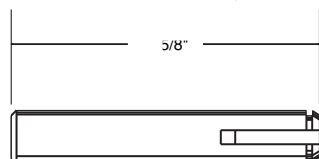
4005 .181" Saw Slot, 3/8" Connector



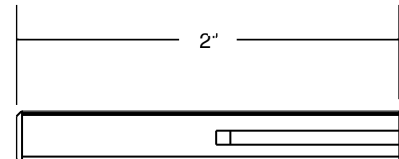
4025 .150" Int. Sq., 3/4" Connector



4015 .191" Saw Slot, 3/4" Connector



4035 .161" Saw Slot, 1 5/16" Connector

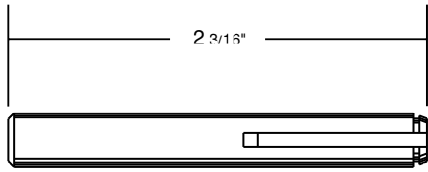


# DRIVE ADAPTER COMPONENTS

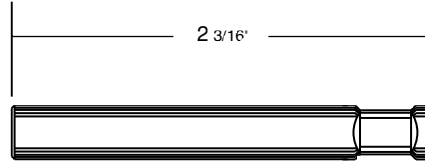


## INPUT SHAFTS

4055 .191" Saw Slot, 1 5/16" Connector

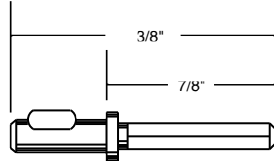


4065 .150" Int. Sq., 1 5/16" Connector

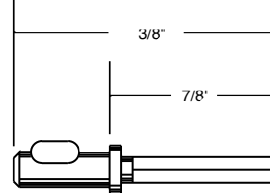


## DRIVE KEYS

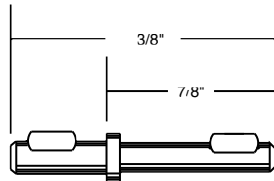
4008 .172" Tang x .104" Square



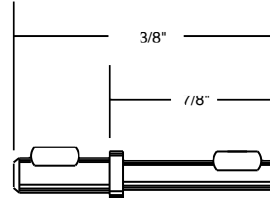
4048 .187" Tang x .104" Square



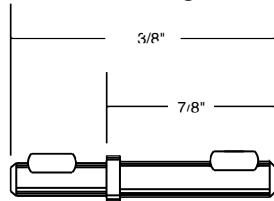
4018 .172" Tang x .152" Tang



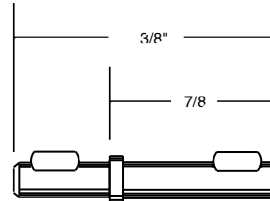
4058 .187" Tang x .152" Tang



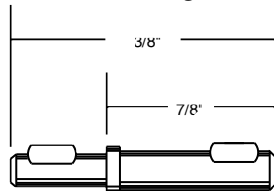
4028 .172" Tang x .187" Tang



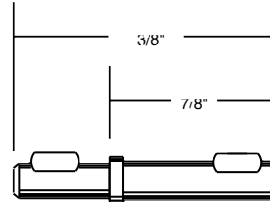
4068 .187" Tang x .187" Tang

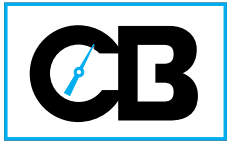


4038 .172" Tang x .203" Tang



4078 .187" Tang x .203" Tang

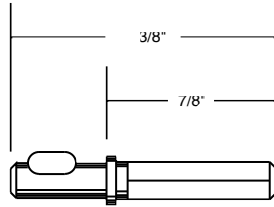




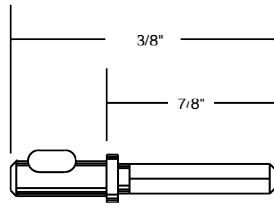
# DRIVE ADAPTER COMPONENTS

## DRIVE KEYS

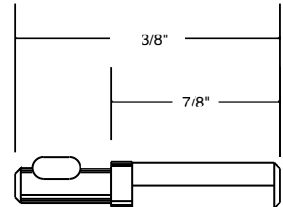
4088 .187" Tang x .150" Square



4098 .187" Tang x .124" Square

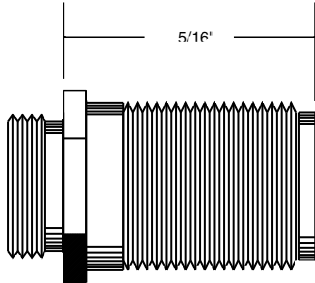


4108 .187" Tang x .193" Square

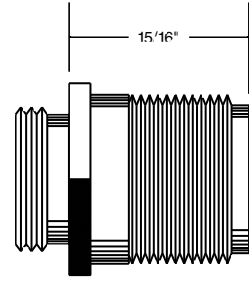


## OUTPUT CONNECTORS

4003 Output Connector

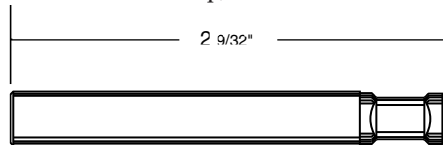


4013 Output Connector

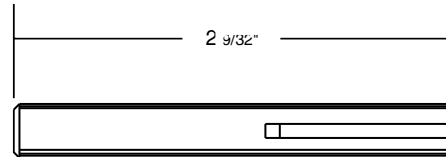


## OUTPUT SHAFTS

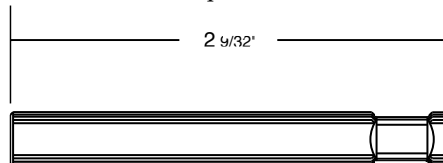
4006 .105" Int. Sq., 1 5/16" Connector



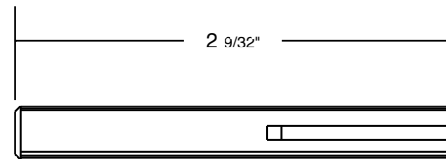
4036 .191" Saw Slot, 1 5/16" Connector



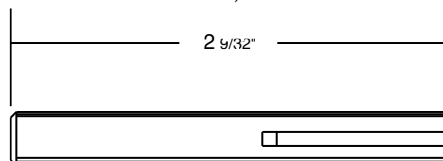
4016 .150" Int. Sq., 1 5/16" Connector



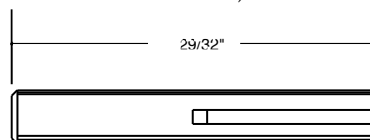
4046 .213" Saw Slot, 1 5/16" Connector



4026 .161" Saw Slot, 1 5/16" Connector



4056 .161" Saw Slot, 15/16" Connector



# DRIVE ADAPTER COMPONENTS

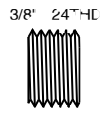


## MISCELLANEOUS

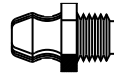
2006 Snap Ring



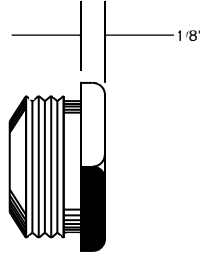
4004 Grease Plug



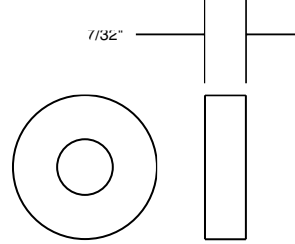
8805 Grease Fitting



4007 Cap Assembly

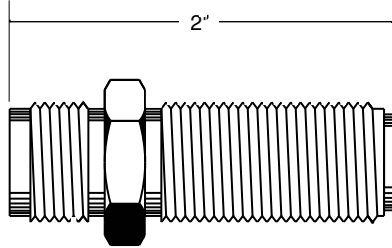


CB-9090 Assembly Tool

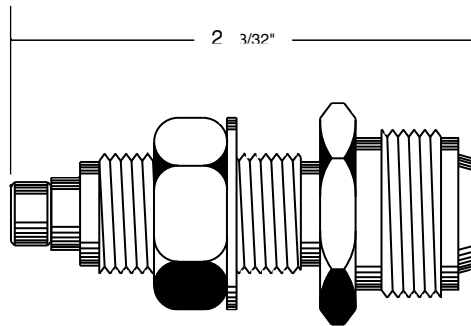


## BULKHEAD CONNECTORS

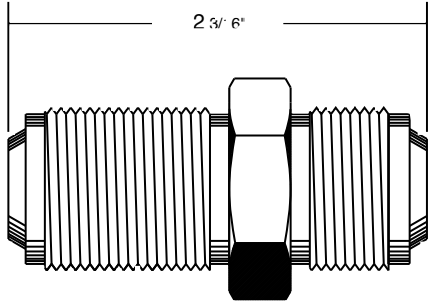
S-108 .105" Int. Sq., 5/8-18 Thread



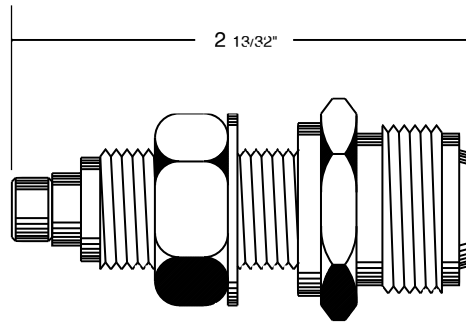
MS 53099-1 .105" Int. Sq. & 5/8-18 Thread  
x .161 Saw Slot & 7/8-18  
Thread



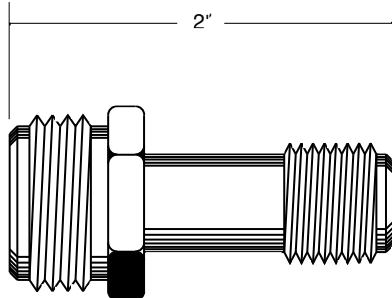
S-109 .105" Int. Sq., 7/8-18 Thread



MS 53099-2 .105" Int. Sq. & 5/8-18 Thread  
x .161 Saw Slot & 7/8-18  
Thread w/ Gasket



S-110 .105" Int. Sq., 7/18-18 X 5/8-18 Thread





# ALL-MAKES & RIGHT ANGLE DRIVE ADAPTER INTERCHANGE

FREIGHTLINER PART NUMBER	CLARK PART NUMBER	FREIGHTLINER PART NUMBER	CLARK PART NUMBER	FREIGHTLINER PART NUMBER	CLARK PART NUMBER
A22-17077-006	AA04621	A22-17077-058	AA08573	A22-17077-110	AA12896
A22-17077-007	AA04681	A22-17077-059	AA08626	A22-17077-111	AA13000
A22-17077-008	AA04761	A22-17077-060	AA08653	A22-17077-112	AA13077
A22-17077-009	AA04859	A22-17077-061	AA08797	A22-17077-113	AA13235
A22-17077-010	AA04887	A22-17077-062	AA08814	A22-17077-114	AA13314
A22-17077-011	AA05000	A22-17077-063	AA08888	A22-17077-115	AA13394
A22-17077-012	AA05032	A22-17077-064	AA08974	A22-17077-116	AA13600
A22-17077-013	AA05102	A22-17077-065	AA09000	A22-17077-117	AA13636
A22-17077-014	AA05131	A22-17077-066	AA09058	A22-17077-118	AA13648
A22-17077-015	AA05185	A22-17077-067	AA09122	A22-17077-119	AA14400
A22-17077-016	AA05321	A22-17077-068	AA09283	A22-17077-120	AA14591
A22-17077-017	AA05357	A22-17077-069	AA09333	A22-17077-121	AA14835
A22-17077-018	AA05392	A22-17077-070	AA09444	A22-17077-122	AA15111
A22-17077-019	AA05555	A22-17077-071	AA09457	A22-17077-123	AA15385
A22-17077-020	AA05607	A22-17077-072	AA09523	A22-17077-124	AA15429
A22-17077-021	AA05625	A22-17077-073	AA09578	A22-17077-125	AA15866
A22-17077-022	AA05701	A22-17077-074	AA09615	A22-17077-126	AA16000
A22-17077-023	AA05709	A22-17077-075	AA09624	A22-17077-127	AA16154
A22-17077-024	AA05777	A22-17077-076	AA09705	A22-17077-128	AA16531
A22-17077-025	AA05833	A22-17077-077	AA09743	A22-17077-129	AA16564
A22-17077-026	AA05882	A22-17077-078	AA09822	A22-17077-130	AA16800
A22-17077-027	AA05929	A22-17077-079	AA10000	A22-17077-131	AA16863
A22-17077-028	AA05952	A22-17077-080	AA10181	A22-17077-132	AA17000
A22-17077-029	AA06037	A22-17077-081	AA10263	A22-17077-133	AA17143
A22-17077-030	AA06049	A22-17077-082	AA10303	A22-17077-134	AA17307
A22-17077-031	AA06190	A22-17077-083	AA10370	A22-17077-135	AA17515
A22-17077-032	AA06250	A22-17077-084	AA10400	A22-17077-136	AA17538
A22-17077-033	AA06302	A22-17077-085	AA10439	A22-17077-137	AA17778
A22-17077-034	AA06481	A22-17077-086	AA10500	A22-17077-138	AA17831
A22-17077-035	AA06500	A22-17077-087	AA10574	A22-17077-139	AA18000
A22-17077-036	AA06617	A22-17077-088	AA10588	A22-17077-140	AA18545
A22-17077-037	AA06740	A22-17077-089	AA10714	A22-17077-141	AA18667
A22-17077-038	AA06862	A22-17077-090	AA10888	A22-17077-142	AA18790
A22-17077-039	AA06944	A22-17077-091	AA10961	A22-17077-143	AA19286
A22-17077-040	AA07222	A22-17077-092	AA11038	A22-17077-144	AA19487
A22-17077-041	AA07333	A22-17077-093	AA11111	A22-17077-145	AA19600
A22-17077-042	AA07352	A22-17077-094	AA11143	A22-17077-146	AA19870
A22-17077-043	AA07466	A22-17077-095	AA11250	A22-17077-147	AA20000
A22-17077-044	AA07511	A22-17077-096	AA11344	A22-17077-148	AA20462
A22-17077-045	AA07555	A22-17077-097	AA11368	A22-17077-149	AA20606
A22-17077-046	AA07647	A22-17077-098	AA11555	A22-17077-150	AA21000
A22-17077-047	AA07692	A22-17077-099	AA11590	A22-17077-151	AA21361
A22-17077-048	AA07754	A22-17077-100	AA11667	A22-17077-152	AA21636
A22-17077-049	AA07764	A22-17077-101	AA11765	A22-17077-153	AA21923
A22-17077-050	AA07785	A22-17077-102	AA12020	A22-17077-154	AA22500
A22-17077-051	AA07894	A22-17077-103	A12133	A22-17077-155	AA22587
A22-17077-052	AA08000	A22-17077-104	AA12179	A22-17077-156	AA23182
A22-17077-053	AA08095	A22-17077-105	AA12353	A22-17077-157	AA23030
A22-17077-054	AA08210	A22-17077-106	AA12500	A22-17077-158	AA06666
A22-17077-055	AA08241	A22-17077-107	AA12666	A22-17077-159	AA15000
A22-17077-056	AA08319	A22-17077-108	AA12844		
A22-17077-057	AA08500	A22-17077-109	AA12878		

## ALL-MAKES & RIGHT ANGLE DRIVE ADAPTER INTERCHANGE

GENERAL MOTORS PART NUMBER	CLARK PART NUMBER	GENERAL MOTORS PART NUMBER	CLARK PART NUMBER	GENERAL MOTORS PART NUMBER	CLARK PART NUMBER
1535315	420904 1.000	1565191	401803 0.450	1588406	401806 0.421
1536124	400904 1.000	1565192	401806 0.500	1588407	401806 0.437
1536136	420904 1.000	1565193	401803 0.550	1589246	401803 0.384
1536147	421803 1.000	1565194	401806 0.578	1589247	401803 1.214
1536250	400904 1.000	1565195	401806 0.588	1589630	421803 0.909
1536341	421806 0.250	1565196	401803 0.611	1589916	421806 1.000
1536442	420904 1.000	1565197	401803 0.631	1589922	421803 0.882
1536884	420904 0.500	1565198	401803 0.647	6405142	401806 0.474
15617662	AA10500	1565199	401806 0.666	6409053	401803 0.363
15618393	AA08000	1565200	401803 0.687	6409080	421803 0.250
15618394	AA07333	1565201	401806 0.714	6409112	421806 0.429
15618395	AA08241	1565202	401803 0.733	6409160	431803 0.250
15618396	AA09743	1565203	401803 0.750	6409315	401803 0.333
15618397	AA12020	1565204	401803 0.769	6409541	421803 0.333
15618398	AA13000	1565205	401803 0.785	6409857	421803 0.500
15618399	AA13600	1565206	401903 0.800	6409858	401803 0.250
15618400	AA10181	1565207	401803 0.818	6451098	421803 1.250
15618496	AA09444	1565208	401806 0.833	6451115	421806 1.214
15618497	AA13313	1565209	401803 0.857	848492	401103 1.062
1563032	401801 1.000	1565210	401806 0.866	848496	401106 0.882
15635468	AA09444	1565211	401803 0.882	848660	401803 1.461
15635469	AA11111	1565212	401806 0.909	848965	401803 2.000
15635470	AA12020	1565213	401806 0.923	860239	401803 1.000
15635471	AA13000	1565214	401803 0.937	860267	400904 1.000
15635472	AA08241	1565215	401803 0.950	860390	401803 0.500
15635475	AA06862	1565217	401806 1.583		
15635476	AA13600	1565812	401101 1.062	<b>MACK</b>	<b>CLARK</b>
15635477	AA10181	1565813	401101 1.133	<b>PART NUMBER</b>	<b>PART NUMBER</b>
15636177	AA09743	1565814	401101 0.941	119AX-1307	401305 0.866
15636218	AA08974	1566827	421806 0.500	119AX-1322	401305 0.571
15636219	AA12500	1567471	421803 1.000	119AX-2400	AA12020
15636220	AA10000	1567917	421803 0.467	119AX-2401	AA11250
1563967	401801 1.214	1568355	421803 0.411	119AX-2402	AA10400
1565168	421803 1.000	1569300	401806 1.055	119AX-2403	AA09822
1565170	401806 1.000	1580273	401101 0.882	119AX-2404	AA09333
1565172	401803 1.077	1580313	431803 0.200	119AX-2405	AA08797
1565173	401806 1.000	1581152	421806 1.077	119AX-2406	AA05102
1565174	401806 1.133	1581216	421803 1.133	119AX-2407	AA05777
1565175	401803 1.166	1581217	421803 1.166	119AX-2408	AA06500
1565176	401803 1.200	1581239	431803 1.077	119AX-2409	AA10181
1565177	401803 1.250	1581718	421806 1.583	119AX-2410	AA10000
1565178	401803 1.272	1581795	421806 1.000	119AX-2411	AA07511
1565179	401806 1.300	1582035	401803 1.000	119AX-2412	AA08095
1565180	401803 1.363	1582104	401806 0.950	119AX-2413	AA15111
1565181	401803 1.384	1582403	401806 0.169	119AX-2414	AA15429
1565182	401806 1.400	1582681	421803 0.400	119AX-2415	AA17000
1565184	401803 0.200	1582941	401803 0.427	119AX-2416	AA13636
1565185	401806 0.250	1582942	401806 0.391	119AX-2417	AA06049
1565186	401806 0.266	1582990	431803 0.400	119AX-2418	AA06617
1565188	401806 0.333	1583876	401101 1.285	119AX-2419	AA07466
1565189	401803 0.363	1584603	421806 0.500	119AX-2420	AA12844
1565190	401803 0.400	1587386	421806 0.363	119AX-2421	AA13235



## ALL-MAKES & RIGHT ANGLE DRIVE ADAPTER INTERCHANGE

MACK PART NUMBER	CLARK PART NUMBER	MACK PART NUMBER	CLARK PART NUMBER	MACK PART NUMBER	CLARK PART NUMBER
119AX-2422	AA06037	119AX-3711	421905 0.538	119AX-5204	AA10500
119AX-2423	AA04313	119AX-3712	421905 0.555	119AX-5205	AA12133
119AX-2424	AA09000	119AX-3713	421905 0.562	119AX-5206	AA07222
119AX-2425	AA16000	119AX-3714	421905 0.571	119AX-5207	AA09523
119AX-2426	AA04186	119AX-3715	421905 0.588	119AX-5208	AA09122
119AX-2427	AA04444	119AX-3716	421905 0.636	119AX-5209	AA15000
119AX-2428	AA04621	119AX-3717	421905 0.647	119AX-5210	AA12844
119AX-2429	AA04761	119AX-3718	421905 0.667	119AX-52100	AA07785
119AX-2430	AA04887	119AX-3719	421905 0.687	119AX-52101	AA08400
119AX-2431	AA05321	119AX-3720	421905 0.705	119AX-52102	AA08814
119AX-2432	AA05555	119AX-3721	421905 0.714	119AX-52103	AA09058
119AX-2433	AA06302	119AX-3722	421905 0.734	119AX-52104	AA09615
119AX-2434	AA06740	119AX-3723	421905 0.785	119AX-52105	AA09705
119AX-2435	AA06944	119AX-3724	421905 0.818	119AX-52106	AA19181
119AX-2436	AA07222	119AX-3725	421905 0.866	119AX-52107	AA11538
119AX-2437	AA07785	119AX-3726	421905 0.909	119AX-52108	AA11765
119AX-2438	AA08241	119AX-3727	421905 0.923	119AX-52109	AA04427
119AX-2439	AA08319	119AX-3728	421905 0.500	119AX-5211	AA11667
119AX-2440	AA08500	119AX-3729	421905 0.526	119AX-52110	AA04313
119AX-2441	AA08653	119AX-3730	421905 0.530	119AX-5212	AA07754
119AX-2442	AA08888	119AX-3731	421905 0.533	119AX-5213	AA14400
119AX-2443	AA09615	119AX-3732	421905 0.545	119AX-5214	AA11111
119AX-2444	AA09705	119AX-3734	421905 0.600	119AX-5215	AA13235
119AX-2445	AA10500	119AX-3735	421905 0.611	119AX-5216	AA15866
119AX-2446	AA10714	119AX-3736	421905 0.692	119AX-5217	AA04561
119AX-2447	AA10888	119AX-3737	421905 0.800	119AX-5218	AA05000
119AX-2448	AA11344	119AX-3738	421905 0.833	119AX-5219	AA05102
119AX-2449	AA11555	119AX-3739	421905 0.857	119AX-5220	AA05131
119AX-2450	AA11765	119AX-3740	421905 1.300	119AX-5221	AA05185
119AX-2451	AA12179	119AX-3741	421905 0.750	119AX-5222	AA05321
119AX-2452	AA12500	119AX-3742	421905 0.412	119AX-5223	AA05327
119AX-2453	AA12666	119AX-4103	422205 1.000	119AX-5224	AA05625
119AX-2454	AA14400	119AX-4701	401905 0.333	119AX-5225	AA05709
119AX-2455	AA20000	119AX-4702	401905 0.357	119AX-5226	AA05777
119AX-2456	A180000	119AX-4704	401905 0.416	119AX-5227	AA05882
119AX-2457	AA19286	119AX-4709	401905 0.384	119AX-5228	AA05929
119AX-2458	AA20606	119AX-4800	422002 1.077	119AX-5229	AA06049
119AX-2459	AA21923	119AX-4801	422002 1.166	119AX-5230	AA06690
119AX-2460	AA15000	119AX-4802	422002 1.000	119AX-5231	AA06617
119AX-3300	431205 1.000	119AX-4803	422002 1.200	119AX-5232	AA06740
119AX-3301	430905 1.000	119AX-4804	422002 1.400	119AX-5233	AA06944
119AX-3700	421905 1.333	119AX-4805	422002 0.562	119AX-5234	AA07333
119AX-3701	421905 1.363	119AX-4806	422002 1.250	119AX-5235	AA07511
119AX-3702	421905 1.166	119AX-4812	422002 0.467	119AX-5236	AA07555
119AX-3703	421905 1.250	119AX-4814	422002 0.500	119AX-5237	AA08000
119AX-3704	421905 1.100	119AX-4815	422002 0.625	119AX-5238	AA08241
119AX-3705	421905 1.134	119AX-4817	422002 0.833	119AX-5239	AA08626
119AX-3706	421905 1.200	119AX-5000	421105 1.000	119AX-5240	AA08653
119AX-3707	421905 1.272	119AX-5200	AA06666	119AX-5241	AA08888
119AX-3708	421905 0.937	119AX-5201	AA06302	119AX-5242	AA08974
119AX-3709	421905 1.077	119AX-5202	AA6862	119AX-5243	AA09183
119AX-3710	421905 1.000	119AX-5203	AA08500	119AX-5244	AA09333

## ALL-MAKES & RIGHT ANGLE DRIVE ADAPTER INTERCHANGE

MACK PART NUMBER	CLARK PART NUMBER	MACK PART NUMBER	CLARK PART NUMBER	MASSTECH/BREEZE PART NUMBER	CLARK PART NUMBER
119AX-5245	AA09457	119AX-5298	AA06923	A2911	401203
119AX-5246	AA09642	119AX-5299	AA07444	A2918	401205
119AX-5247	AA10000	119AX-5800	410505 1.000	A2925	401201
119AX-5248	AA10263	119AX-6400	400405 1.000	A2931	401206
119AX-5249	AA10439			A2932	401202
119AX-5250	AA11368	MASSTECH/BREEZE PART NUMBER	CLARK PART NUMBER	A3110	401804
119AX-5251	AA12020			A3111	401803
119AX-5252	AA12353	1393-D	4014	A3118	401805
119AX-5253	AA12666	1393-H	4004	A3125	401801
119AX-5254	AA13077	3200-AS	3001	A3131	401806
119AX-5255	AA14571	3200-CS	3001	A3132	401802
119AX-5256	AA04186	3321	4015	A3210	401704
119AX-5257	AA05555	3400	4036	A3211	401703
119AX-5258	AA10588	3412	4046	A3218	401705
119AX-5259	AA10888	3420	4026	A3225	401701
119AX-5260	AA11143	3498	4006	A3231	401706
119AX-5261	AA12500	3498-B	4016	A3232	401702
119AX-5262	AA12896	3498-C	4025	A3310	401304
119AX-5263	AA13600	3600-GS	4003	A3311	401303
119AX-5264	AA13846	3754-A	4068	A3318	401305
119AX-5265	AA15385	3754-B	4058	A3325	401301
119AX-5266	AA17143	3754-C	4078	A3331	401306
119AX-5267	AA17307	3754-E	4048	A3332	401302
119AX-5268	AA17778	3770	2006	A3410	401104
119AX-5269	AA18000	3800-CS	4007	A3411	401103
119AX-5270	AA18545	3810-CSC	4012	A3418	401105
119AX-5271	AA19286	3810-SC	4022	A3425	401101
119AX-5272	AA16531	A1010	400404	A3431	401106
119AX-5273	AA04887	A1011	400403	A3432	401102
119AX-5274	AA05200	A1018	400405	A4010	400904
119AX-5275	AA06000	A1025	400401	A4011	400903
119AX-5276	AA06561	A1031	400406	A4018	400905
119AX-5277	AA06947	A1032	400402	A4025	400901
119AX-5278	AA07143	A1110	400304	A4031	400906
119AX-5279	AA07500	A1111	400303	A4032	400902
119AX-5280	AA07894	A1118	400305	AC1010	400404
119AX-5281	AA08210	A1125	400301	AC1011	400403
119AX-5282	AA08462	A1131	400306	AC1018	400405
119AX-5283	AA08684	A1132	400302	AC1025	400401
119AX-5284	AA09822	A1810	400504	AC1031	400406
119AX-5285	AA10400	A1811	400503	AC1032	400402
119AX-5286	AA10784	A1818	400505	AC1110	400304
119AX-5287	AA11039	A1825	400501	AC1111	400303
119AX-5288	AA11333	A1831	400506	AC1118	400305
119AX-5289	AA12000	A1832	400502	AC1125	400301
119AX-5291	AA04681	A2510	400204	AC1131	400306
119AX-5292	AA04825	A2511	400203	AC1132	400302
119AX-5293	AA05294	A2518	400205	AC1810	400504
119AX-5294	AA05392	A2525	400201	AC1811	400503
119AX-5295	AA05701	A2531	400206	AC1818	400505
119AX-5296	AA06037	A2532	400202	AC1825	400501
119AX-5297	AA06500	A2910	401204	AC1832	400502

## ALL-MAKES & RIGHT ANGLE DRIVE ADAPTER INTERCHANGE

MASSTECH/BREEZE PART NUMBER	CLARK PART NUMBER	MASSTECH/BREEZE PART NUMBER	CLARK PART NUMBER	MASSTECH/BREEZE PART NUMBER	CLARK PART NUMBER
AC2510	400204	B1131	410306	BC1018	410405
AC2511	400203	B1132	410302	BC1025	410401
AC2518	400205	B1810	410504	BC1031	410406
AC2525	400201	B1811	410503	BC1032	410402
AC2531	400206	B1818	410505	BC1110	410304
AC2532	400202	B1825	410501	BC1111	410303
AC2910	401204	B1831	410506	BC1118	410305
AC2911	401203	B1832	410502	BC1125	410301
AC2918	401205	B2510	410204	BC1131	410306
AC2925	401201	B2511	410203	BC1132	410302
AC2931	401206	B2518	410205	BC1810	410504
AC2932	401202	B2525	410201	BC1811	410503
AC3110	401804	B2531	410206	BC1818	410505
AC3111	401803	B2532	410202	BC1825	410501
AC3118	401805	B2910	410204	BC1831	410506
AC3125	401801	B2911	410203	BC1832	410502
AC3131	401806	B2918	411205	BC2510	410204
AC3132	401802	B2925	411201	BC2511	410203
AC3210	401704	B2931	411206	BC2518	410205
AC3211	401703	B2932	411202	BC2525	410201
AC3218	401705	B3110	411804	BC2531	410206
AC3225	401701	B3111	411803	BC2532	410202
AC3231	401706	B3118	411805	BC2910	410204
AC3232	401702	B3125	411801	BC2911	410203
AC3310	401304	B3131	411806	BC2918	411205
AC3311	401303	B3132	411802	BC2925	411201
AC3318	401305	B3210	411704	BC2931	411206
AC3325	401301	B3211	411703	BC2932	411202
AC3331	401306	B3218	411705	BC3110	411804
AC3332	401302	B3225	411701	BC3111	411803
AC3410	401104	B3231	411706	BC3118	411805
AC3411	401103	B3232	411702	BC3125	411801
AC3418	401105	B3310	411304	BC3131	411806
AC3425	401101	B3311	411303	BC3132	411802
AC3431	401106	B3318	411305	BC3210	411704
AC3432	401102	B3325	411301	BC3211	411703
AC4010	400904	B3331	411306	BC3218	411705
AC4011	400903	B3332	411302	BC3225	411701
AC4018	400905	B3410	411104	BC3231	411706
AC4025	400901	B3411	411103	BC3232	411702
AC4031	400906	B3418	411105	BC3310	411304
AC4032	400902	B3425	411101	BC3311	411303
B1010	410404	B3431	411106	BC3318	411305
B1011	410403	B3432	411102	BC3325	411301
B1018	410405	B4010	410904	BC3331	411306
B1025	410401	B4011	410903	BC3332	411302
B1031	410406	B4018	410905	BC3410	411104
B1032	410402	B4025	410901	BC3411	411103
B1110	410304	B4031	410906	BC3418	411105
B1111	410303	B4032	410902	BC3425	411101
B1118	410305	BC1010	410404	BC3431	411106
B1125	410301	BC1011	410403	BC3432	411102

## ALL-MAKES & RIGHT ANGLE DRIVE ADAPTER INTERCHANGE

MASSTECH/BREEZE PART NUMBER	CLARK PART NUMBER	MASSTECH/BREEZE PART NUMBER	CLARK PART NUMBER	MASSTECH/BREEZE PART NUMBER	CLARK PART NUMBER
BC4010	410904	C3331	421306	CC3211	421703
BC4011	410903	C3332	421302	CC3218	421705
BC4018	410905	C3410	421104	CC3225	421701
BC4025	410901	C3411	421103	CC3231	421706
BC4031	410906	C3418	421105	CC3232	421702
BC4032	410902	C3425	421101	CC3310	421304
C1010	420404	C3431	421106	CC3311	421303
C1011	420403	C3432	421102	CC3318	421305
C1018	420405	C4010	420904	CC3325	421301
C1025	420401	C4011	420903	CC3331	421306
C1031	420406	C4018	420905	CC3332	421302
C1032	420402	C4025	420901	CC3410	421104
C1110	420304	C4031	420906	CC3411	421103
C1111	420303	C4032	420902	CC3418	421105
C1118	420305	CA1831	400506	CC3425	421101
C1125	420301	CC1010	420404	CC3431	421106
C1131	420306	CC1011	420403	CC3432	421102
C1132	420302	CC1018	420405	CC4010	420904
C1810	420504	CC1025	420401	CC4011	420903
C1811	420503	CC1031	420406	CC4018	420905
C1818	420505	CC1032	420402	CC4025	420901
C1825	420501	CC1110	420304	CC4031	420906
C1831	420506	CC1111	420303	CC4032	420902
C1832	420502	CC1118	420305	D1010	430404
C2510	420204	CC1125	420301	D1011	430403
C2511	420203	CC1131	420306	D1018	430405
C2518	420205	CC1132	420302	D1025	430401
C2525	420201	CC1810	420504	D1031	430406
C2531	420206	CC1811	420503	D1032	430402
C2532	420202	CC1818	420505	D1110	430304
C2910	420204	CC1825	420501	D1111	430303
C2911	420203	CC1831	420506	D1118	430305
C2918	421205	CC1832	420502	D1125	430301
C2925	421201	CC2510	420204	D1131	430306
C2931	421206	CC2511	420203	D1132	430302
C2932	421202	CC2518	420205	D1810	430504
C3110	421804	CC2525	420201	D1811	430503
C3111	421803	CC2531	420206	D1818	430505
C3118	421805	CC2532	420202	D1825	430501
C3125	421801	CC2910	420204	D1831	430506
C3131	421806	CC2911	420203	D1832	430502
C3132	421802	CC2918	421205	D2510	430204
C3210	421704	CC2925	421201	D2511	430203
C3211	421703	CC2931	421206	D2518	430205
C3218	421705	CC2932	421202	D2525	430201
C3225	421701	CC3110	421804	D2531	430206
C3231	421706	CC3111	421803	D2532	430202
C3232	421702	CC3118	421805	D2910	430204
C3310	421304	CC3125	421801	D2911	430203
C3311	421303	CC3131	421806	D2918	431205
C3318	421305	CC3132	421802	D2925	431201
C3325	421301	CC3210	421704	D2931	431206

## ALL-MAKES & RIGHT ANGLE DRIVE ADAPTER INTERCHANGE

MASSTECH/BREEZE PART NUMBER	CLARK PART NUMBER	MASSTECH/BREEZE PART NUMBER	CLARK PART NUMBER	NAVISTAR PART NUMBER	CLARK PART NUMBER
D2932	431202	DC2525	430201	492734-C91	AA06481
D3110	431804	DC2531	430206	492735-C91	AA06944
D3111	431803	DC2532	430202	492736-C91	AA07222
D3118	431805	DC2910	430204	492737-C91	AA07466
D3125	431801	DC2911	430203	492738-C91	AA07692
D3131	431806	DC2918	431205	492739-C91	AA07894
D3132	431802	DC2925	431201	492740-C91	AA08241
D3210	431704	DC2931	431206	492741-C91	AA08653
D3211	431703	DC2932	431202	492742-C91	AA08974
D3218	431705	DC3110	431804	492743-C91	AA09333
D3225	431701	DC3111	431803	492744-C91	AA09615
D3231	431706	DC3118	431805	492745-C91	AA10000
D3232	431702	DC3125	431801	492746-C91	AA10181
D3310	431304	DC3131	431806	492747-C91	AA10400
D3311	431303	DC3132	431802	492748-C91	AA10574
D3318	431305	DC3210	431704	492749-C91	AA10714
D3325	431301	DC3211	431703	492750-C91	AA11143
D3331	431306	DC3218	431705	492751-C91	AA11555
D3332	431302	DC3225	431701	492752-C91	AA12133
D3410	431104	DC3231	431706	492753-C91	AA12666
D3411	431103	DC3232	431702	492754-C91	AA13000
D3418	431105	DC3310	431304	492755-C91	AA13393
D3425	431101	DC3311	431303	492756-C91	AA13846
D3431	431106	DC3318	431305	492757-C91	AA14400
D3432	431102	DC3325	431301	492758-C91	AA14835
D4010	430904	DC3331	431306	492759-C91	AA15428
D4011	430903	DC3332	431302	492760-C91	AA16000
D4018	420905	DC3410	431104	492761-C91	AA16564
D4025	430901	DC3411	431103	492762-C91	AA17307
D4031	430906	DC3418	431105	492763-C91	AA18792
D4032	430902	DC3425	431101	492764-C91	AA19600
DC1010	430404	DC3431	431106	492765-C91	AA20606
DC1011	430403	DC3432	431102	571280-C91	AA06740
DC1018	430405	DC4010	430904		
DC1025	430401	DC4011	430903	<b>PACCAR</b>	<b>CLARK</b>
DC1031	430406	DC4018	420905	<b>PART NUMBER</b>	<b>PART NUMBER</b>
DC1032	430402	DC4025	430901	4EZ15-0.6667	AA06667
DC1110	430304	DC4031	430906	4EZ55-0.4853	AA04853
DC1111	430303	DC4032	430902	4EZ55-0.5000	AA05000
DC1118	430305			4EZ55-0.5185	AA05185
DC1125	430301	<b>NAVISTAR</b>	<b>CLARK</b>	4EZ55-0.5357	AA05357
DC1131	430306	<b>PART NUMBER</b>	<b>PART NUMBER</b>	4EZ55-0.5392	AA05392
DC1132	430302	492724-C91	AA04427	4EZ55-0.5555	AA05555
DC1810	430504	492725-C91	AA04761	4EZ55-0.5607	AA05607
DC1811	430503	492726-C91	AA05000	4EZ55-0.5833	AA05833
DC1818	430505	492727-C91	AA05185	4EZ55-0.5883	AA05883
DC1825	430501	492728-C91	AA05392	4EZ55-0.6037	AA06037
DC1831	430506	492729-C91	AA05555	4EZ55-0.6050	AA06050
DC1832	430502	492730-C91	AA05701	4EZ55-0.6191	AA06191
DC2510	430204	492731-C91	AA05929	4EZ55-0.6250	AA06250
DC2511	430203	492732-C91	AA06049	4EZ55-0.6303	AA06303
DC2518	430205	492733-C91	AA06250	4EZ55-0.6482	AA06482

## ALL-MAKES & RIGHT ANGLE DRIVE ADAPTER INTERCHANGE

PACCAR PART NUMBER	CLARK PART NUMBER	PACCAR PART NUMBER	CLARK PART NUMBER	PACCAR PART NUMBER	CLARK PART NUMBER
4EZ55-0.6500	AA06500	4EZ55-1.0303	AA10303	4EZ55-1.4571	AA14571
4EZ55-0.6617	AA06617	4EZ55-1.0370	AA10370	4EZ55-1.4616	AA14616
4EZ55-0.6618	AA06617	4EZ55-1.0400	AA10400	4EZ55-1.4835	AA14835
4EZ55-0.6741	AA06741	4EZ55-1.0439	AA10439	4EZ55-1.5000	AA15000
4EZ55-0.6863	AA06863	4EZ55-1.0500	AA10500	4EZ55-1.5111	AA15111
4EZ55-0.6944	AA06944	4EZ55-1.0574	AA10574	4EZ55-1.5384	AA15384
4EZ55-0.7222	AA07222	4EZ55-1.0588	AA10588	4EZ55-1.5428	AA15428
4EZ55-0.7352	AA07352	4EZ55-1.0714	AA10714	4EZ55-1.5454	AA15454
4EZ55-0.7353	AA07352	4EZ55-1.0784	AA10784	4EZ55-1.5866	AA15866
4EZ55-0.7511	AA07511	4EZ55-1.0888	AA10888	4EZ55-1.5867	AA15866
4EZ55-0.7647	AA07647	4EZ55-1.0961	AA10961	4EZ55-1.6000	AA16000
4EZ55-0.7693	AA07693	4EZ55-1.1038	AA11038	4EZ55-1.6152	AA16152
4EZ55-0.7754	AA07754	4EZ55-1.1110	AA11111	4EZ55-1.6564	AA16564
4EZ55-0.7785	AA07785	4EZ55-1.1111	AA11111	4EZ55-1.6667	AA16667
4EZ55-0.7786	AA07785	4EZ55-1.1143	AA11143	4EZ55-1.6863	AA16863
4EZ55-0.7894	AA07894	4EZ55-1.1200	AA11200	4EZ55-1.7000	AA17000
4EZ55-0.7895	AA07894	4EZ55-1.1250	AA11250	4EZ55-1.7142	AA17142
4EZ55-0.8000	AA08000	4EZ55-1.1300	AA11300	4EZ55-1.7307	AA17307
4EZ55-0.8095	AA08095	4EZ55-1.1333	AA11333	4EZ55-1.7523	AA17538
4EZ55-0.8210	AA08210	4EZ55-1.1344	AA11344	4EZ55-1.7538	AA17538
4EZ55-0.8215	AA08215	4EZ55-1.1367	AA11367	4EZ55-1.7777	AA17777
4EZ55-0.8241	AA08241	4EZ55-1.1404	AA11404	4EZ55-1.7831	AA17831
4EZ55-0.8242	AA08241	4EZ55-1.1538	AA11538	4EZ55-1.8000	AA18000
4EZ55-0.8319	AA08319	4EZ55-1.1555	AA11555	4EZ55-1.8545	AA18545
4EZ55-0.8500	AA08500	4EZ55-1.1590	AA11590	4EZ55-1.8666	AA18666
4EZ55-0.8571	AA08571	4EZ55-1.1666	AA11666	4EZ55-1.8792	AA18792
4EZ55-0.8626	AA08626	4EZ55-1.1763	AA11763	4EZ55-1.9285	AA19285
4EZ55-0.8628	AA08626	4EZ55-1.1864	AA11864	4EZ55-1.9487	AA19487
4EZ55-0.8654	AA08654	4EZ55-1.1905	AA11905	4EZ55-1.9870	AA19870
4EZ55-0.8797	AA08797	4EZ55-1.2020	AA12020	4EZ55-2.0461	AA20461
4EZ55-0.8814	AA08814	4EZ55-1.2133	AA12133	4EZ55-2.1000	AA21000
4EZ55-0.8815	AA08814	4EZ55-1.2179	AA12179	4EZ55-2.1923	AA21923
4EZ55-0.8888	AA08888	4EZ55-1.2180	AA12179	4EZ55-2.2587	AA22587
4EZ55-0.8889	AA08888	4EZ55-1.2338	AA12338	4EZ55-2.3181	AA23181
4EZ55-0.9000	AA09000	4EZ55-1.2352	AA12352	4EZ55-2.3884	AA23884
4EZ55-0.9058	AA09058	4EZ55-1.2500	AA12500		
4EZ55-0.9059	AA09058	4EZ55-1.2666	AA12666	<b>S.S. WHITE</b>	<b>CLARK</b>
4EZ55-0.9123	AA09123	4EZ55-1.2844	AA12844	<b>PART NUMBER</b>	<b>PART NUMBER</b>
4EZ55-0.9183	AA09183	4EZ55-1.2878	AA12878	4R11	430201
4EZ55-0.9184	AA09183	4EZ55-1.2895	AA12895	4R12	430202
4EZ55-0.9333	AA09333	4EZ55-1.3000	AA13000	4R13	430203
4EZ55-0.9334	AA09333	4EZ55-1.3077	AA13077	4R14	430204
4EZ55-0.9444	AA09444	4EZ55-1.3235	AA13235	4R15	430205
4EZ55-0.9523	AA09523	4EZ55-1.3313	AA13313	4R21	431401
4EZ55-0.9615	AA09615	4EZ55-1.3333	AA13333	4R22	431402
4EZ55-0.9642	AA09642	4EZ55-1.3393	AA13393	4R23	431403
4EZ55-0.9706	AA09706	4EZ55-1.3600	AA13600	4R24	431404
4EZ55-0.9743	AA09743	4EZ55-1.3636	AA13636	4R25	431405
4EZ55-0.9822	AA09822	4EZ55-1.3845	AA13846	4R31	430301
4EZ55-1.0000	AA10000	4EZ55-1.3846	AA13846	4R32	430302
4EZ55-1.0181	AA10181	4EZ55-1.4000	AA14000	4R33	430303
4EZ55-1.0263	AA10263	4EZ55-1.4400	AA14400	4R34	430304

## ALL-MAKES & RIGHT ANGLE DRIVE ADAPTER INTERCHANGE

S.S. WHITE PART NUMBER	CLARK PART NUMBER	STEWART WARNER PART NUMBER	CLARK PART NUMBER	STEWART WARNER PART NUMBER	CLARK PART NUMBER
4R35	430305	649-BK	420304	667-M	421105
4R41	430401	649-BR	410505	667-M	420305
4R42	430402	649-BR	411305	667-SC	421305
4R43	430403	649-BX	421305	667-SC	420505
4R44	430404	649-D	420303	667-SD	421103
4R45	430405	649-DR	411103	667-SD	420303
4R51	430501	649-DR	410303	667-SN	420201
4R52	430502	649-F	420201	667-SX	421204
4R53	430503	649-L	421705	667-SX	420404
4R54	430504	649-X	421204	667-X	420304
4R55	430505	649-X	420404	667-X	421104
4S11	420201	649-XR	411204	668-E	431205
4S12	420202	649-XR	410404	668-E	430405
4S13	420203	649-Z	431204	668-F	430305
4S14	420204	649-Z	430404	668-F	431105
4S15	420205	651-B	421305	668-SC	431305
4S21	421401	651-B	420505	668-SC	430505
4S22	421402	651-BR	431305	668-SD	431103
4S23	421403	651-BR	430505	668-SD	430303
4S24	421404	651-CR	431105	668-SN	430201
4S25	421405	651-CR	430305	668-SX	430404
4S31	420301	651-D	420403	668-SX	431204
4S32	420302	651-D	421103		
4S33	420303	651-D	420303	<b>VOLVO-GM</b>	<b>CLARK</b>
4S34	420304	651-D	421203	<b>PART NUMBER</b>	<b>PART NUMBER</b>
4S35	420305	651-DR	430303	57801-0001	AA04313
4S41	420401	651-DR	431103	57801-0002	AA04427
4S42	420402	651-F	420305	57801-0003	AA04561
4S43	420403	651-F	421105	57801-0004	AA04761
4S44	420404	651-FR	430201	57801-0005	AA04853
4S45	420405	651-JR	431204	57801-0006	AA05000
4S51	420501	651-X	420404	57801-0007	AA05131
4S52	420502	651-X	421204	57801-0008	AA5321
4S53	420503	651-XR	430404	57801-0009	AA05555
4S54	420504	651-XR	431204	57801-0010	AA05777
4S55	420505	652 1.000	RA78	57801-0011	AA06049
		652-B	400505	57801-0012	AA06302
<b>STEWART WARNER</b>	<b>CLARK</b>	652-B	401305	57801-0013	AA06500
<b>PART NUMBER</b>	<b>PART NUMBER</b>	652-BR	410505	57801-0014	AA06740
649-AD	430405	652-BR	411305	57801-0015	AA06944
649-AD	431205	652-D	400303	57801-0016	AA07222
649-AK	430303	652-D	401103	57801-0017	AA07555
649-AK	431103	652-DR	410303	57801-0018	AA07894
649-AM	431204	652-DR	411103	57801-0019	AA08241
649-AM	430404	652-HR	411104	57801-0020	AA08626
649-AS	401204	652-HR	410304	57801-0021	AA09000
649-AS	400404	652-K	400304	57801-0022	AA09333
649-AW	420305	652-K	401104	57801-0023	AA09743
649-AW	421105	652-X	401204	57801-0024	AA10181
649-B	420505	652-X	400404	57801-0025	AA10574
649-BD	421103	652-XR	411204	57801-0026	AA11038
649-BK	421104	652-XR	410404	57801-0027	AA11555

## ALL-MAKES & RIGHT ANGLE DRIVE ADAPTER INTERCHANGE

VOLVO-GM PART NUMBER	CLARK PART NUMBER	VOLVO-GM PART NUMBER	CLARK PART NUMBER	WESTERN STAR PART NUMBER	CLARK PART NUMBER
57801-0028	AA12020	G1565204	401806 0.769	S324X10400	AA10400
57801-0029	AA12500	G1565205	401806 0.785	S324X10500	AA10500
57801-0030	AA13000	G1565215	401806 0.950	S324X10574	AA10574
57801-0031	AA13393	G1565217	401806 1.583	S324X10588	AA10588
57801-0032	AA13846	G1565218	401806 1.667	S324X10714	AA10714
57801-0033	AA14400	G1566827	401806 0.500	S324X10888	AA10888
57801-0034	AA14835	G1569300	401806 1.055	S324X11038	AA11038
57801-0035	AA15384			S324X11143	AA11143
57801-0036	AA15866	<b>WESTERN STAR</b>	<b>CLARK</b>	S324X11250	AA11250
57801-0037	AA16564	<b>PART NUMBER</b>	<b>PART NUMBER</b>	S324X11323	AA11323
57801-0038	AA17000	1736124	AA08095	S324X11367	AA11367
57801-0039	AA17523	57801-0013	AA06500	S324X11666	AA11666
57801-0040	AA18000	57801-0014	AA06740	S324X11763	AA11763
57801-0041	AA18792	57801-0015	AA06944	S324X12352	AA12352
57801-0042	AA19487	57801-0016	AA07222	S324X12666	AA12666
57801-0043	AA20000	57801-0017	AA07555	S324X13846	AA13846
57801-0044	AA20606	57801-0018	AA07894	S324X14835	AA14835
57801-0045	AA21360	57801-0019	AA08241	S324X15866	AA15866
57801-0046	AA21923	57801-0021	AA09000	S324X16564	AA16564
57801-0047	AA22587	57801-0022	AA09333	S324X18545	AA18545
57801-0048	AA23181	57801-0023	AA09743	S324X19600	AA19600
57801-0049	AA23884	57801-0024	AA10181	S324X6190	AA06190
57801-0050	AA04313	57801-0025	AA10574	S324X6481	AA06481
57801-0066	AA07555	57801-0027	AA11555	S324X7352	AA07352
57801-0076	AA11555	57801-0028	AA12020	S324X7647	AA07647
57801-0078	AA12500	57801-0029	AA12500	S324X8000	AA08000
57801-0080	AA13393	57801-0030	AA13000	S324X8500	AA08500
57801-0084	AA15384	57801-0031	AA13393	S324X8888	AA08888
57801-0100	AA11250	57801-0033	AA14400	S324X8974	AA08974
G1565170	401806 1.000	57801-0035	AA15384	S324X9058	AA09058
G1565173	401806 1.100	777-B- .8653	AA08653	S324X9122	AA09122
G1565174	401806 1.133	777-B-1.7515	AA17515	S324X9523	AA09523
G1565175	401806 1.167	S324X10000	AA10000	S324X9577	AA09577
G1565179	401806 1.300	S324X10263	AA10263		



# ADDITIONAL PRODUCTS MANUFACTURED BY CLARK BROTHERS



Automotive, Heavy Duty Truck, Industrial, Military & Marine Products

## HEAVY DUTY PANEL GAUGES

Instrumentation, for  
Automotive, Heavy Duty Truck,  
Industrial, Military & Marine  
Products:

- Tachometers
- Speedometers
- Voltmeters
- Hour Meters
- Ammeters
- Senders
  - Vacuum, Oil, Fuel,  
Air & Hydraulic
- Temperature
  - Water & Oil



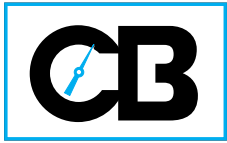
## MILITARY GAUGES

In compliance with MIL-I-10986 and  
MIL-S-10215 for supply of military  
gauges:

- MS 24532 Voltmeter (MIL-I-26525)
- MS 24540 Pressure Gauge
- MS 24541 Pressure Gauge
- MS 24543 Temperature Gauge
- MS 24544 Fuel Gauge
- MS 35916-2 Mech. Tachometer
- MS 39021-2 Mech. Speedometer

Plus other ordnance and military part numbers.





# ADDITIONAL PRODUCTS MANUFACTURED BY CLARK BROTHERS

**Automotive, Heavy Duty Truck, Industrial, Military & Marine Products**

## SPEEDO/TACH CABLE ASSEMBLIES

Speedometer/tachometer cable assemblies and components offer OEM approved casing, core wire, tips, nuts and ferrules for automotive and heavy duty trucking and military industries.



## SPEEDOMETER ACCESSORIES

Our complete line of speedometer accessories include: speedometer and tachometer cables, cable components, gear ratio adapters, assemblies and components.



## CONTROL CABLES & SPEEDO/TACH

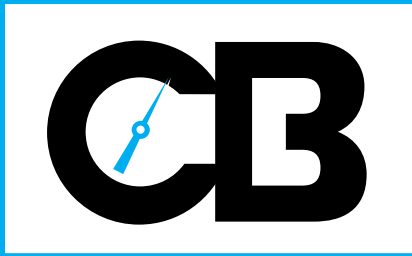
Full Line of Speedometer, Tachometer, Twist-To Lock, Non-Locking, PTO, Vernier Throttle, Utility Push-Pull & Clutch Cables.





# INDEX

PART NUMBER	PAGE NUMBER	PART NUMBER	PAGE NUMBER	PART NUMBER	PAGE NUMBER	PART NUMBER	PAGE NUMBER
2006	19	4010622	11	4110772	11	AA09058	4
3001	16	4010771	11	4111001	11	AA09122	4
4002	16	4010772	11	4111002	11	AA09183	4
4003	18	4011001	11	4111341	11	AA09333	4
4004	19	4011002	11	4111342	11	AA09444	4
4005	16	4011341	11	4111671	11	AA09457	4
4006	18	4011342	11	4111672	11	AA09523	4
4007	19	4011671	11	4112001	11	AA09578	4
4008	17	4011672	11	4112002	11	AA09615	4
4012	16	4012001	11	4112501	11	AA09642	4
4013	18	4012002	11	4112502	11	AA09705	4
4015	16	4012141	11	4112721	11	AA09743	4
4016	18	4012142	11	4112722	11	AA10000	4
4018	17	4012501	11	4113001	11	AA10181	4
4025	16	4012502	11	4113002	11	AA10263	4
4026	18	4013001	11	4113331	11	AA10303	4
4028	17	4013002	11	4113332	11	AA10370	4
4032	16	4013631	11	4113631	11	AA10400	4
4035	16	4013632	11	4113632	11	AA10439	4
4036	18	4014001	11	4114001	11	AA10500	4
4038	17	4014002	11	4114002	11	AA10574	4
4046	18	4014611	11	4115001	11	AA10588	4
4048	17	4014612	11	4115002	11	AA10714	4
4055	17	4015001	11	4120001	11	AA10888	4
4056	18	4015002	11	4120002	11	AA10961	4
4058	17	4015831	11	4000-GKT	15	AA11038	4
4065	17	4015832	11	4000-KT	13	AA11111	4
4068	17	4016671	11	4000-PK	14	AA11143	4
4078	17	4016672	11	4001-KT	13	AA11250	4
4088	18	4020001	11	AA04186	4	AA11344	4
4098	18	4020002	11	AA04313	4	AA11368	4
4108	18	4102501	11	AA04427	4	AA11538	4
7713	3	4102502	11	AA04561	4	AA11555	4
7715	3	4104671	11	AA04621	4	AA11590	4
7716	3	4104672	11	AA04681	4	AA11667	4
7740	3	4105001	11	AA05000	4	AA11765	4
8805	19	4105002	11	AA05185	4	AA12000	4
4002501	11	4105621	11	AA05321	4	AA12020	4
4002502	11	4105622	11	AA05392	4	AA12133	4
4005001	11	4105711	11	AA05555	4	AA12179	4
4005002	11	4105712	11	AA05625	4	AA12353	4
4005501	11	4105881	11	AA05701	4	AA12500	4
4005502	11	4105882	11	AA05709	4	AA12666	4
4005711	11	4106111	11	AA05777	4	AA12844	4
4005712	11	4106112	11	AA05882	4	AA12896	4
4006111	11	4106361	11	AA05929	4	AA13000	4
4006112	11	4106362	11	AA05952	4	AA13077	4
4006251	11	4106471	11	AA06049	4	AA13235	4
4006252	11	4106472	11	AA06190	4	AA13314	4
4006471	11	4106671	11	AA06250	4	AA13394	4
4006472	11	4106672	11	AA06302	4	AA13600	4
4006871	11	4106871	11	AA06481	4	AA13636	4
4006872	11	4106872	11	AA06500	4	AA13846	4
4007331	11	4107051	11	AA06617	4	AA14400	4
4007332	11	4107052	11	AA06666	4	AA14571	4
4007501	11	4107141	11	AA06740	4	AA14835	4
4007502	11	4107142	11	AA06862	4	AA15000	4
4007691	11	4107331	11	AA06944	4	AA15385	4
4007692	11	4107332	11	AA07143	4	AA15429	4
4007861	11	4107501	11	AA07222	4	AA15455	4
4007862	11	4107502	11	AA07333	4	AA15866	4
4008181	11	4107861	11	AA07352	4	AA16000	4
4008182	11	4107862	11	AA07466	4	AA16154	4
4008331	11	4108001	11	AA07511	4	AA16564	4
4008332	11	4108002	11	AA07555	4	AA16800	4
4008661	11	4108181	11	AA07647	4	AA17000	4
4008662	11	4108182	11	AA07692	4	AA17307	4
4008821	11	4108331	11	AA07754	4	AA17515	4
4008822	11	4108332	11	AA07785	4	AA17778	4
4009091	11	4108571	11	AA07894	4	AA18000	4
4009092	11	4108572	11	AA08000	4	AA18545	4
4009231	11	4108661	11	AA08095	4	AA18790	4
4009232	11	4108662	11	AA08210	4	AA19286	4
4009291	11	4108821	11	AA08241	4	AA19487	4
4009292	11	4108822	11	AA08319	4	AA20000	4
4009411	11	4109231	11	AA08500	4	CB-9090	19
4009412	11	4109232	11	AA08571	4	MS53099-1	19
4009501	11	4109291	11	AA08626	4	MS53099-2	19
4009502	11	4109292	11	AA08653	4	S-108	19
4010001	11	4109371	11	AA08797	4	S-109	19
4010001	11	4109372	11	AA08814	4	S-110	19
4010551	11	4110001	11	AA08888	4		
4010552	11	4110001	11	AA08974	4		
4010621	11	4110771	11	AA09000	4		



**CLARK  
BROTHERS  
INSTRUMENT**

**56680 Mound Road, Shelby Township, MI 48316 USA  
(810) 781-7000 Fax (810) 781-7005**

Distributed by:

Printed in U.S.A.

© Entire contents copyright 1995 by Clark Brothers Instrument Company. All rights reserved.

SC795